

Zero-Point Clamping

Contents

New Products – Autumn 2022	3
All from one source	4
Quick-Point® Modular Plates	16
Quick-Point® Single Plates	18
Quick-Point® Multi Plates	30
Quick-Point® Combo Plates	36
Quick-Point® Adaptor Plates	40
Quick-Point® Risers	42
Quick-Point® Clamping Towers for Vertical Machining Centers	46
Quick-Tower Clamping Tower for Horizontal Machining Centers	50
Quick-Point® Accessories	56
Alignment and Mounting Options	64
Quick-Point® Service	66
Terms & Conditions, Imprint	68

New Products Autumn 2022

Compared to the last version of our catalog, the following products have been added to our zero-point clamping range:



Quick-Point® Combo Plates

The perfect combination

The new combined series with the two zero-point grids 52 and 96 mm.

Learn more on page 36 – 39.



Workholding and Automation – from one source

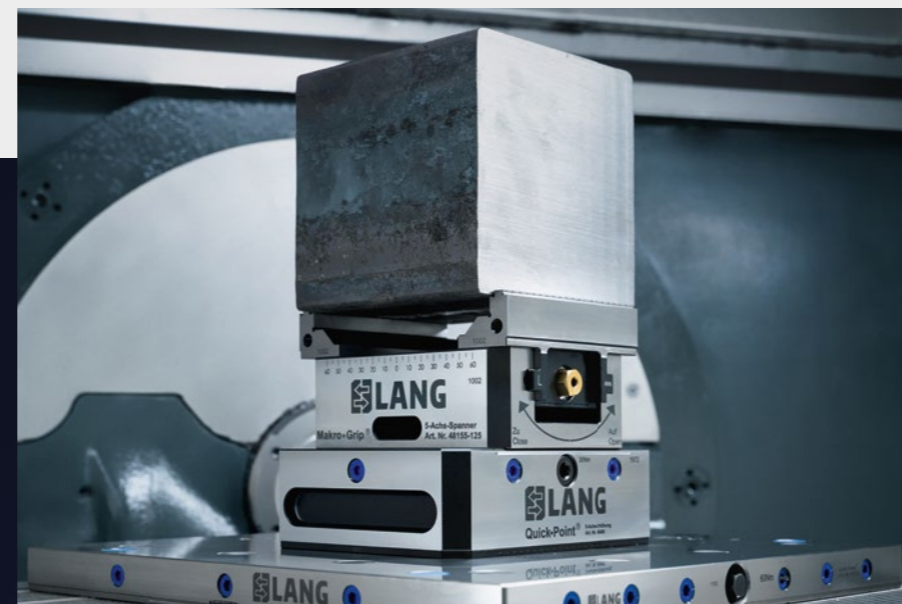
A proven and perfectly combined package of workholding, zero-point clamping and automation, along with our unrivaled stamping technology, provides our customers with the necessary requirements to stay efficient and competitive.



Zero-Point Clamping

Quick-Point® fits anywhere

- Fits any machine table
- Versatile application possibilities for 3-/5-axis machines and rotary tables
- Modular design
- Enormous set-up time savings
- Wide range of customization options
- Highly precise positioning
- Direct clamping of workpieces
- Simple operation, easy maintenance and cleaning



Workholding

A suitable clamping solution for any machining task

- For raw, round, pre-machined, (semi-) finished and large parts
- Highest holding forces and process reliability
- Ideal accessibility for 5-sided machining
- Wear and distortion-free clamping
- Fully compatible centering vises and clamping jaws
- Compact design, low weights, ergonomic handling
- Integrated zero-point adaptation
- For automated or manual production, can be used with competing systems



Automation

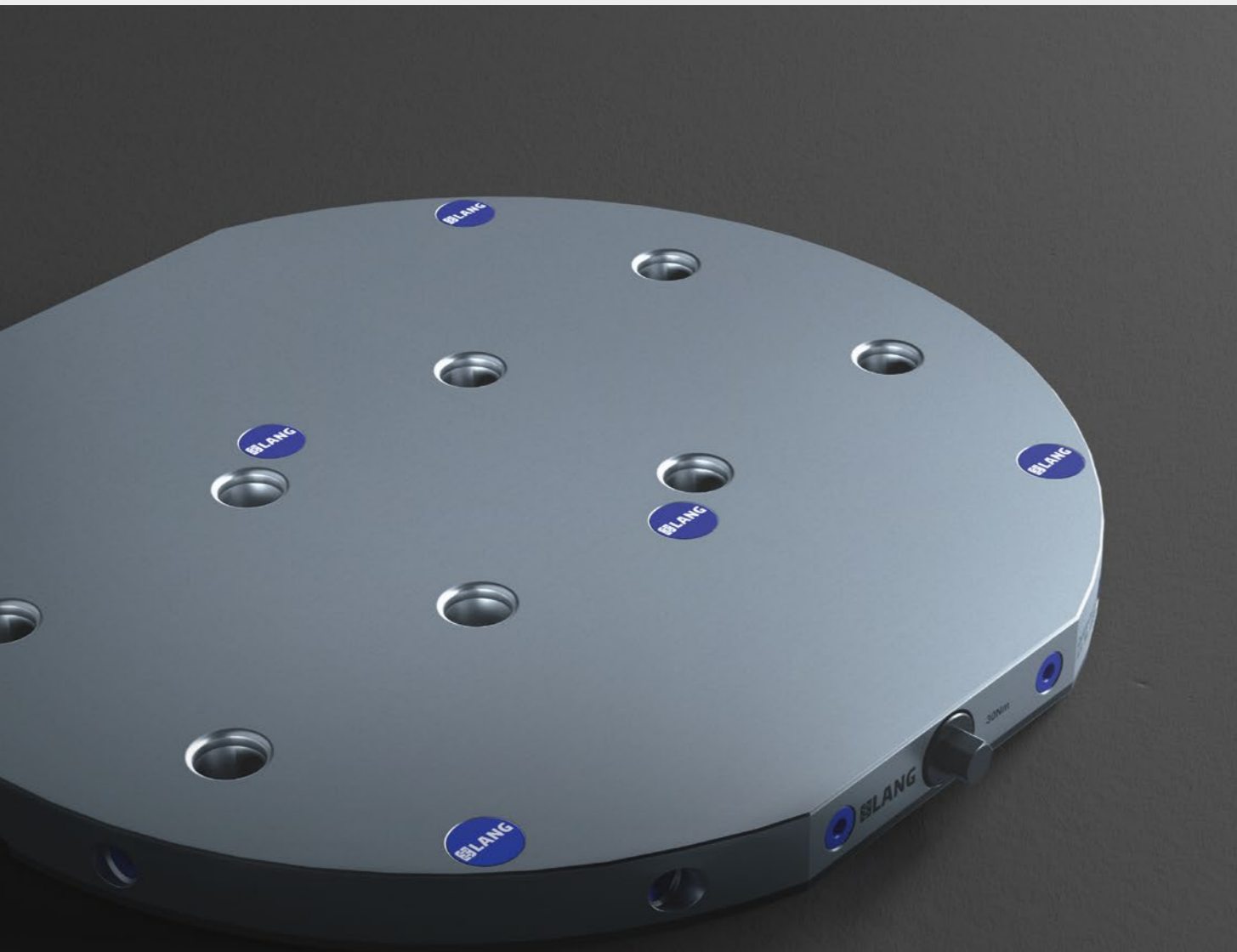
Flexible single part or large scale production

- Retrofittable to any machining center
- (Re-)equipping of automation system within a few seconds
- Highly flexible single-part or batch production
- Simple operation, no knowledge about robots required
- Quick installation, minimum training expenses
- No skilled labor required
- Automation trolleys as a flexible storage
- High storage capacity on small footprint



ZERO-POINT CLAMPING

- 16 Quick-Point® Modular Plates
- 18 Quick-Point® Single Plates
- 30 Quick-Point® Multi Plates
- 36 Quick-Point® Combo Plates
- 40 Quick-Point® Adaptor Plates
- 42 Quick-Point® Risers
- 46 Quick-Point® Clamping Towers for Vertical Machining Centers
- 50 Quick-Tower Clamping Tower for Horizontal Machining Centers
- 56 Quick-Point® Accessories
- 64 Alignment and Mounting Options
- 66 Quick-Point® Service



**simple.
quick.
clamping.**

Flexible, precise and extremely durable.

The Quick-Point® Zero-Point Clamping System combines:

SET-UP TIME SAVINGS

MODULARITY

SIMPLE, MECHANICAL OPERATION

As an interface between the machine table and clamping device, Quick-Point® is characterized by an enormous range of variations and high precision. Round, rectangular or square in shape, for single or multiple clamping, two different stud sizes and spacings (52 mm and 96 mm), Quick-Point® provides a solution for every application. It can be used universally in vertical and horizontal machining centers, on 3- and 5-axis tables and 4th axis rotary or trunnion systems. Due to its modularity the system can be expanded precisely at any time.

Benefits of the Quick-Point® Zero-Point Clamping System:



Minimum set-up time required



Direct clamping of workpieces



Wide range of customization options



Highly precise positioning

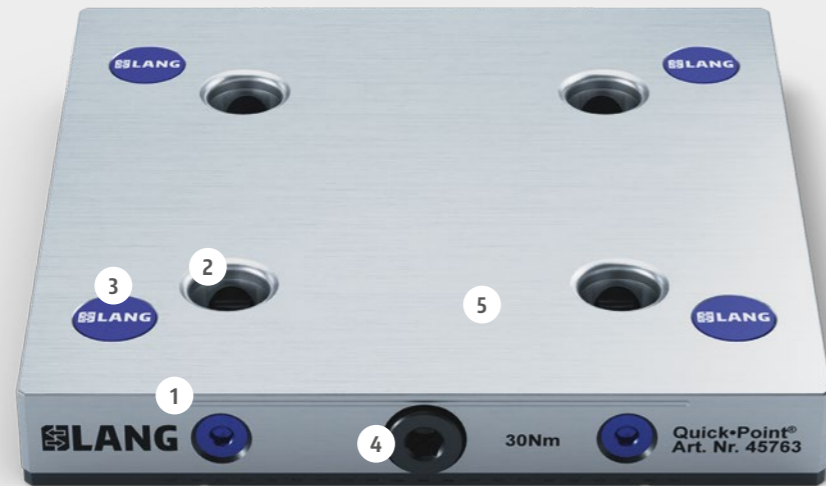


Maintenance-free and durable components



Automated, pneumatic actuation possible

Quick-Point® Technology



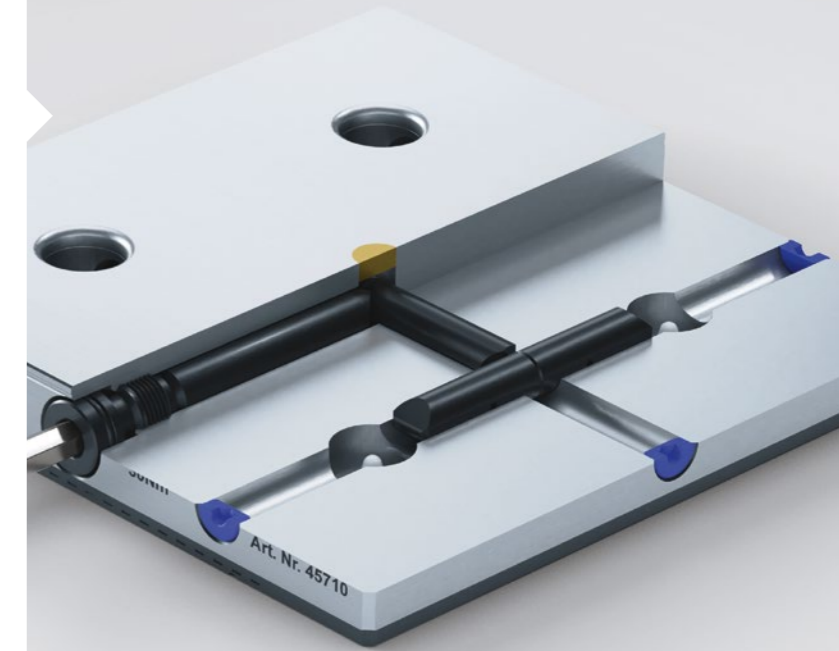
- 1 With only 27 mm one of the lowest zero-point systems on the market
- 2 Highly precise with < 0.005 mm repeat accuracy
- 3 Cover discs for mounting bores
- 4 Robust mechanical clamping with one actuation screw or Quick-Lock fastener
- 5 Rigid, compact base plate made of case-hardened and ground steel



- 6 Ø12F5 fitting for concentric alignment, centering studs are also available (page 59)
- 7 Coolant drain
- 8 20H7 keyways for axial alignment

Functional principle of Quick-Point® Zero-Point Plates

By design Quick-Point® is a purely mechanical zero-point system. A patented rod system inside the plate guarantees a repeatability of less than 0.005 mm. Quick-Point® plates are actuated by a screw or the Quick-Lock device to ensure simple and easy operation. With an actuation torque of 30 Nm (60 Nm for 4-fold grid plates) holding forces of up to 6,000 kg are realized. Due to a very small number of wear-free parts the system is reliable and virtually maintenance free.



Modular, flexible and always a good fit.

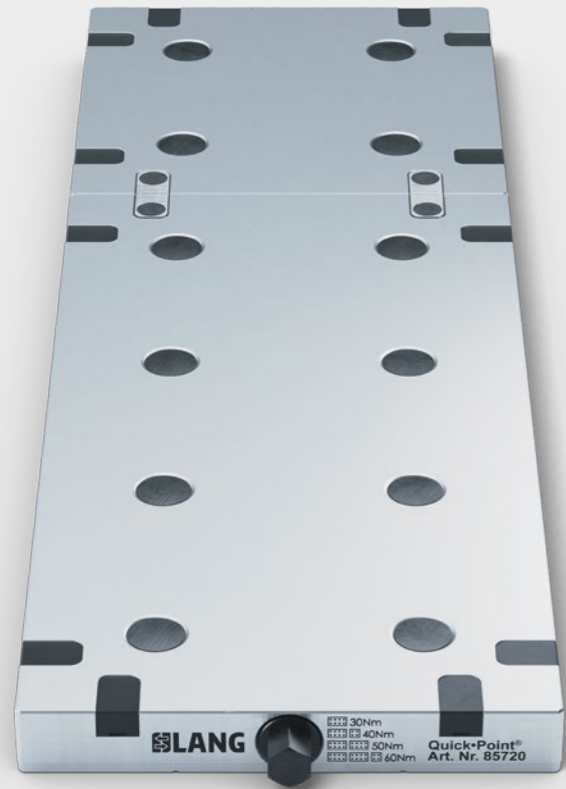
With nearly 50 different types of zero-point plates and diverse customization possibilities Quick-Point® provides a suitable solution for every type of machine table. On large machine tables a continuous grid can be realized using (multi) grid plates in order to make best use of the available space. Quick-Point® unfolds its enormous modularity through complementary items, such as risers, tombstones and, in particular, adaptor plates with which the zero-point grid size can be reduced from 96 mm to 52 mm in order to use all sizes of LANG vises flexibly.



Recommendation:

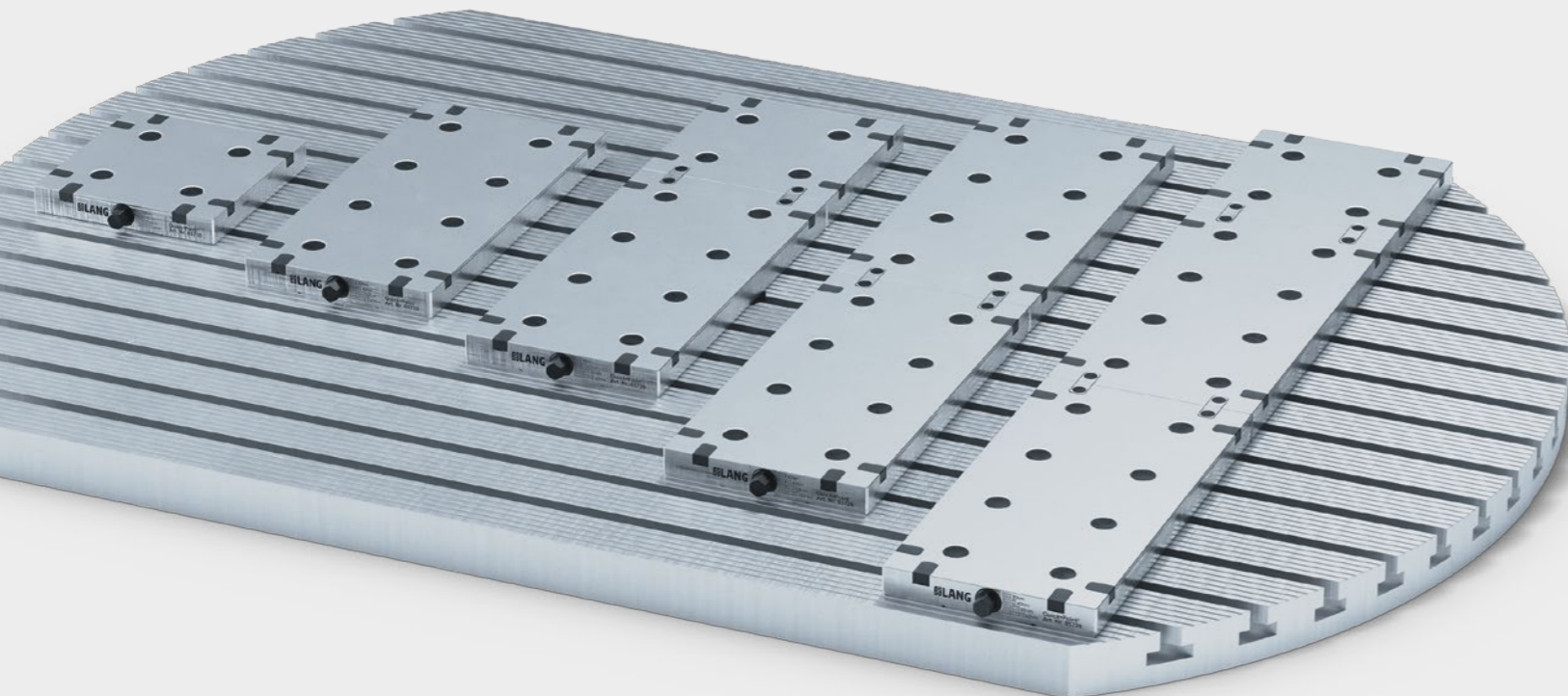
If the size of the machine table allows it, we recommend, the larger Quick-Point® 96 zero-point clamping system as the basis on the machine table. This ensures the greatest possible flexibility with regard to future system expansions. In this way, you remain

flexible and can use both larger vises or clamping systems such as Makro-Grip® Ultra, as well as smaller vises by adapting them to the Quick-Point® 52 zero-point clamping system.



Quick-Point Modular Plates – the powerful set-up time slayer

A new type of plate within the Quick-Point® system now makes zero-point clamping even easier. With the expandable modular plates, which can be flexibly adapted to any machine table, users operate up to five clamping units in succession mechanically with just one tightening screw. This is due to a new patented clamping mechanism within the modular plates, which ensures even higher pull-down forces (approx. 12,000 N) and activates the complete system at the same time. The installation of the modular plates on the machine table offers even greater time-saving potential, as the zero-point plates are connected to each other by precisely fitting connectors, which means that additional alignment is not necessary.



Direct clamping of workpieces and fixtures

Quick-Point® clamping studs connect the zero-point system and LANG workholding devices. They can be also mounted directly to a workpiece in order to clamp it directly without a workholding device. Even the mounting to customers' own fixtures or conventional vises is possible in order to benefit from all the advantages of the Quick-Point® zero-point clamping system. The connection between clamping studs and zero-point plate is extremely robust, very precise and can undoubtedly resist even the strongest machining forces.

Image: Poseidon Propulsion B.V.

High degree of customization possibilities

All of our Quick-Point® plates with prefabricated mounting bores are also available without such, in order to be individually adapted to any kind of machine table. If the zero-point plate protrudes the machine table, cutting off the plate's corners provides a nice and clean customization.



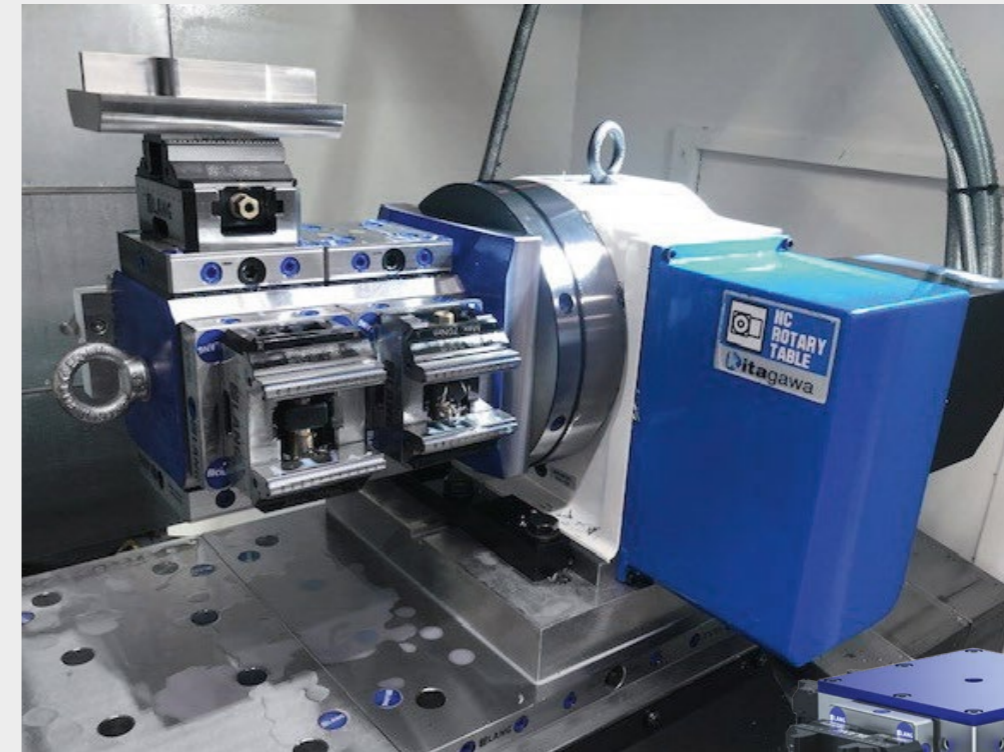
Image: Donner GmbH The Qualifactory



A great fit for rotary tables

The low overall height, the wide range of customization options and the mechanical functional principle make the Quick-Point® zero-point clamping system a great choice for rotary tables, e.g. from Kitagawa, Lehmann, Nikken or Haas, just to name a few. Rotary tables and trunnions can be retrofitted easily with Quick-Point® plates which provide added value in terms of flexibility and set-up time savings.

Image: EL-Bauteile Handelsgesellschaft mbH



Increased productivity with multiple clamping systems and tombstones

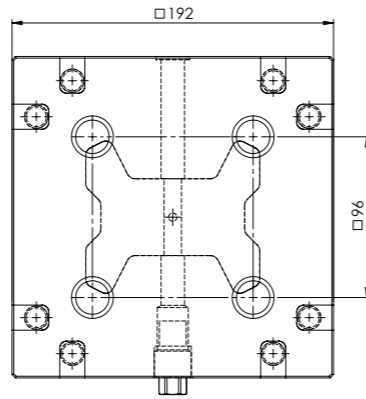
For multi-clamping operations LANG presents various options to automatically increase machine running time and at the same time reduce the amount of tool changes. For horizontal machines the Quick-Tower tombstone is a great choice to clamp up to 32 vises at the same time, whereas the MT3 / MT4 tombstones are generally used in smaller 3- / 5-axis machines or rotary tables.

Automated manufacturing

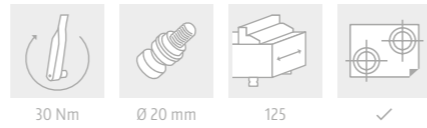
The Quick-Point® zero-point clamping system is used not only in manual but also in automated, lights-out manufacturing. The zero-point clamping system can be actuated either by the machine tool (pneumatically) or the robot gripper (mechanically or pneumatically). A media interface within the machine is not required.



Quick-Point® Modular Plates



QUICK-POINT® 96, MODULAR PLATE 192 × 192 × 27 MM, WITHOUT MOUNTING BORES



ITEM NO.	DIMENSIONS	WEIGHT
85710	192 × 192 × 27 mm	7.4 kg
45004	Set mounting bores according to customer's request	
45002	Set keyways according to customer's request	



QUICK-POINT® CONVERSION KIT FOR MODULAR PLATES

ITEM NO.	UNIT	WEIGHT
85700	1 pressure bolt, 2 connectors	0.3 kg

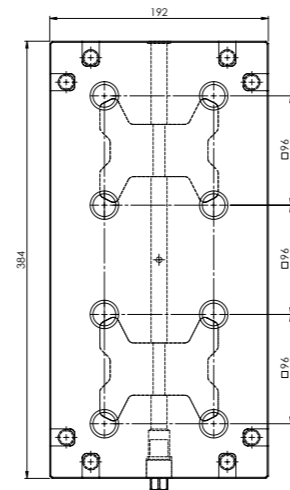
The conversion set, which includes a pressure bolt and two connectors, is required when modular plates are to be connected in series, in order to operate the entire clamping mechanism via the tightening screw of the front modular plate. Due to the precise fit of the connectors the alignment of modular plates towards each other is no longer necessary.



QUICK-POINT® CONNECTION SET FOR MODULAR PLATES

ITEM NO.	QUANTITY	WEIGHT
85701	2 pieces	0.1 kg

The connection set for the Quick-Point® modular plates is not only part of the the conversion kit (item no. 85700), but available individually, in order to connect neighboring modular plates with each other and to enable a zero-point grid across the plates in x-direction.



QUICK-POINT® 96, 2-FOLD MODULAR PLATE 384 × 192 × 27 MM, WITHOUT MOUNTING BORES



ITEM NO.	DIMENSIONS	WEIGHT
85720	384 × 192 × 27 mm	14.8 kg
45024	Set mounting bores according to customer's request	
45022	Set keyways according to customer's request	

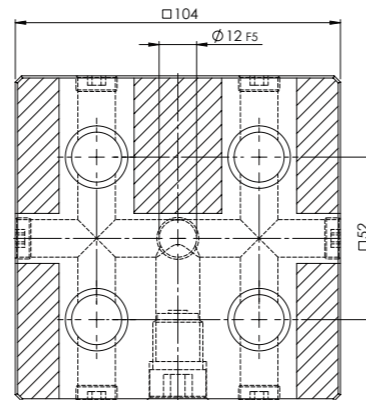


QUICK-POINT® COVERS FOR MODULAR PLATES

ITEM NO.	QUANTITY	WEIGHT
85702	10 pieces	0.05 kg

The plastic covers close those recesses of the Quick-Point® modular plates to which no further modular plate is added. They are available in sets of 10. Both modular plates (item no. 85710 and 85720) are supplied with 8 covers each.

Quick-Point® Single Plates

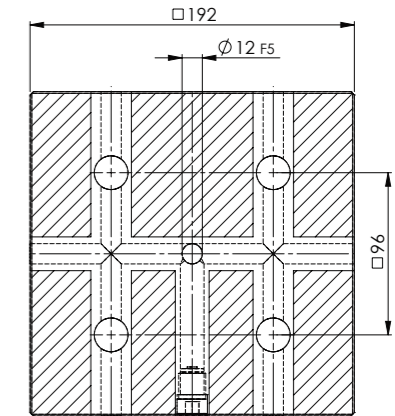


QUICK-POINT® 52, GRID PLATE
104 × 104 × 27 MM, WITHOUT MOUNTING BORES

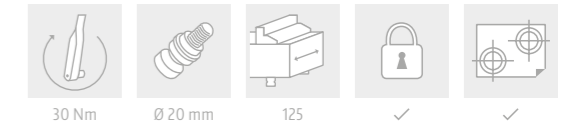


ITEM NO.	DIMENSIONS	WEIGHT
45600	104 × 104 × 27 mm	2.0 kg
45004	Set mounting bores according to customer's request	
45002	Set keyways according to customer's request	

Suitable Quick-Lock: Item No. 44552 (page 60).

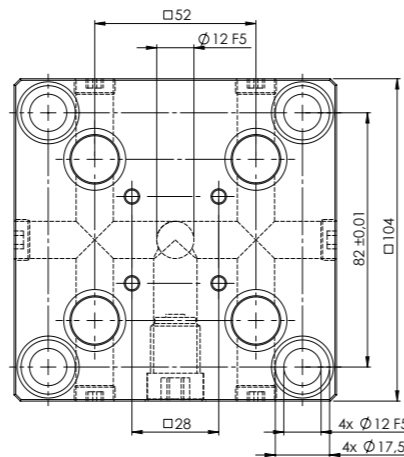


QUICK-POINT® 96, GRID PLATE
192 × 192 × 27 MM, WITHOUT MOUNTING BORES

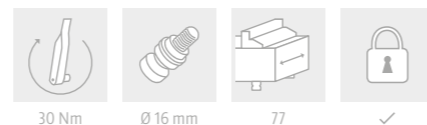


ITEM NO.	DIMENSIONS	WEIGHT
45710	192 × 192 × 27 mm	7.4 kg
45004	Set mounting bores according to customer's request	
45002	Set keyways according to customer's request	

Suitable Quick-Lock: Item No. 44596 (page 60).

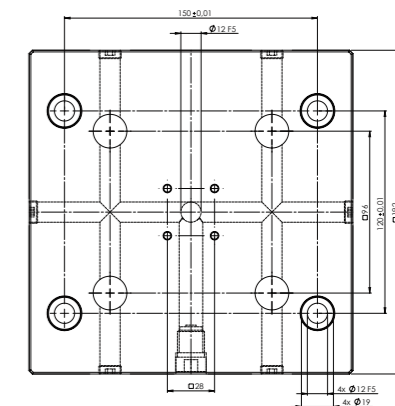


QUICK-POINT® 52, GRID PLATE
104 × 104 × 27 MM, WITH MOUNTING BORES FOR QUICK-TOWER

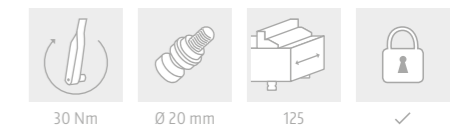


ITEM NO.	DIMENSIONS	MOUNTING BORES	WEIGHT
75600	104 × 104 × 27 mm	82 × 82 mm	1.8 kg

This Grid Plate can also be found on page 48 and 54.
Suitable Quick-Lock: Item No. 44552 (page 60).



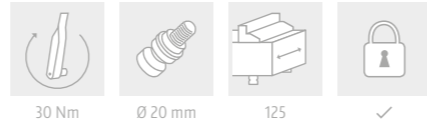
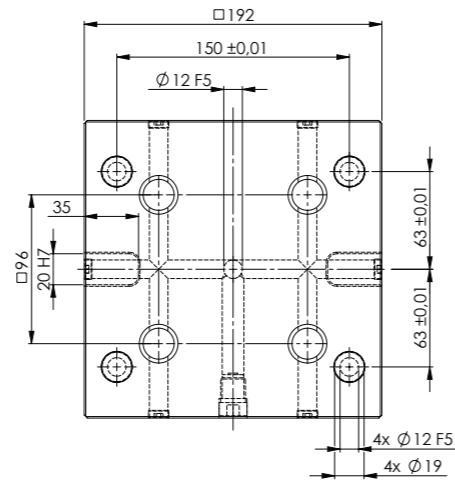
QUICK-POINT® 96, GRID PLATE
192 × 192 × 27 MM, WITH MOUNTING BORES FOR QUICK-TOWER



ITEM NO.	DIMENSIONS	MOUNTING BORES	WEIGHT
75710	192 × 192 × 27 mm	150 × 120 mm	7.3 kg

This Grid Plate can also be found on page 55.
Suitable Quick-Lock: Item No. 44596 (page 60).

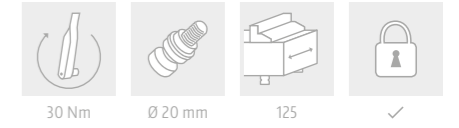
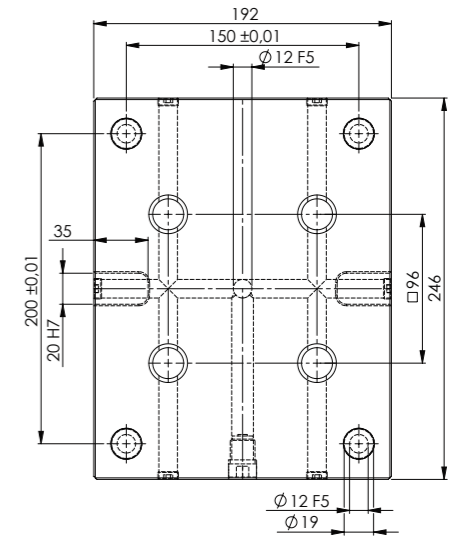
Quick-Point® Single Plates



QUICK-POINT® 96, GRID PLATE
192 × 192 × 27 MM, WITH MOUNTING BORES FOR 63 MM T-SLOT DISTANCE

ITEM NO.	DIMENSIONS	MOUNTING BORES	WEIGHT
45763	192 × 192 × 27 mm	for 63 mm t-slot distance	7.1 kg

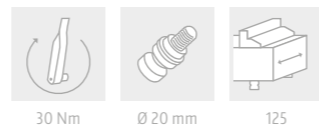
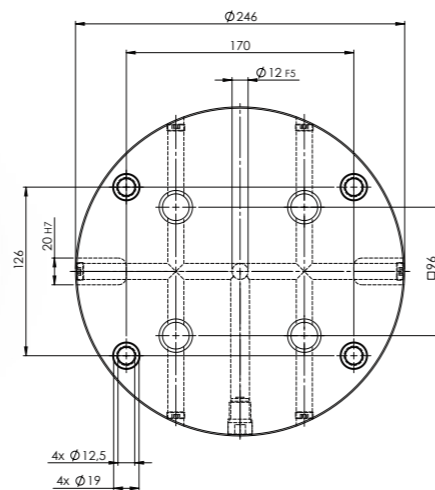
Suitable Quick-Lock: Item No. 44596 (page 60).



QUICK-POINT® 96, EXTENDED GRID PLATE
246 × 192 × 27 MM, WITH MOUNTING BORES FOR 100 MM T-SLOT DISTANCE

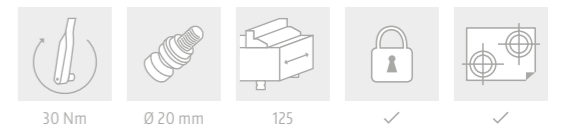
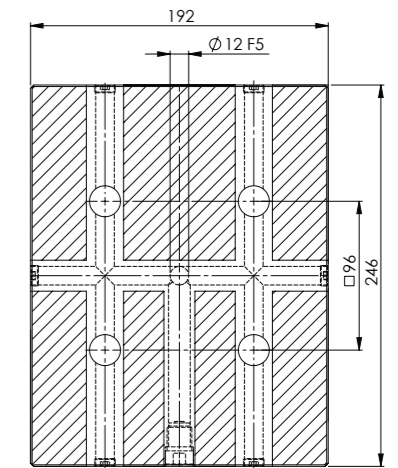
ITEM NO.	DIMENSIONS	MOUNTING BORES	WEIGHT
45715	246 × 192 × 27 mm	for 100 mm t-slot distance	9.2 kg

Suitable Quick-Lock: Item No. 44596 (page 60).



QUICK-POINT® 96, ROUND PLATE
Ø 246 × 27 MM, WITH MOUNTING BORES FOR 63 MM T-SLOT DISTANCE

ITEM NO.	DIMENSIONS	MOUNTING BORES	WEIGHT
45863	Ø 246 × 27 mm	for 63 mm t-slot distance	9.2 kg

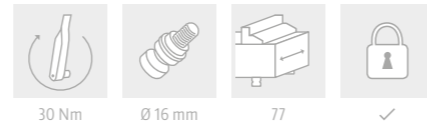
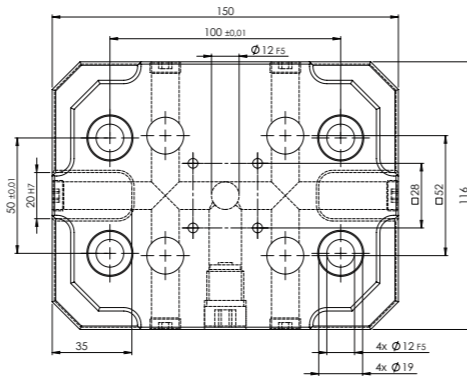


QUICK-POINT® 96, EXTENDED GRID PLATE
246 × 192 × 27 MM, WITHOUT MOUNTING BORES

ITEM NO.	DIMENSIONS	WEIGHT
45716	246 × 192 × 27 mm	9.4 kg
45004	Set mounting bores according to customer's request	
45002	Set keyways according to customer's request	

Suitable Quick-Lock: Item No. 44596 (page 60).

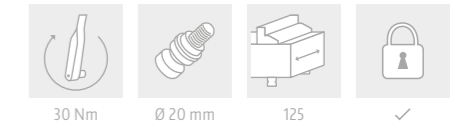
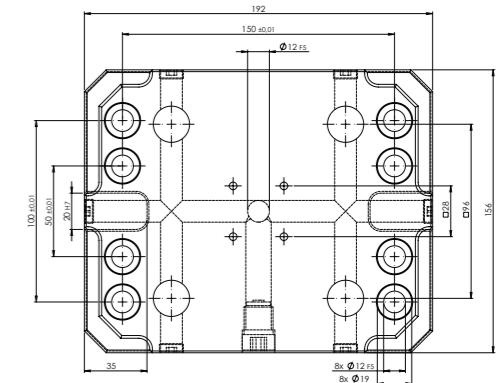
Quick-Point® Single Plates



QUICK-POINT® 52, RECTANGULAR PLATE
150 × 116 × 27 MM, WITH CLAMPING EDGE & MOUNTING BORES

ITEM NO.	DIMENSIONS	MOUNTING BORES	WEIGHT
45150	150 × 116 × 27 mm	100 × 50 mm	2.8 kg

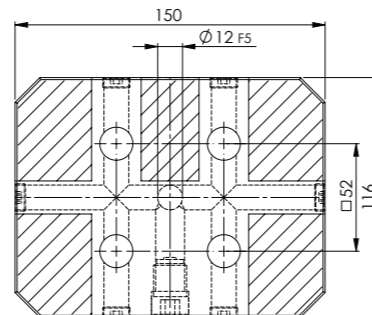
Suitable Quick-Lock: Item No. 44552 (page 60).



QUICK-POINT® 96, RECTANGULAR PLATE
192 × 156 × 27 MM, WITH CLAMPING EDGE & MOUNTING BORES

ITEM NO.	DIMENSIONS	MOUNTING BORES	WEIGHT
45400	192 × 156 × 27 mm	150 × 100 / 50 mm	5.2 kg

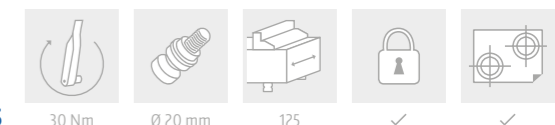
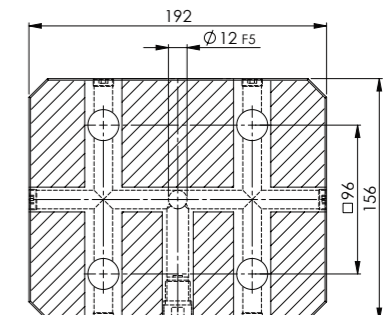
Suitable Quick-Lock: Item No. 44596 (page 60).



QUICK-POINT® 52, RECTANGULAR PLATE
150 × 116 × 27 MM, WITHOUT CLAMPING EDGE & MOUNTING BORES

ITEM NO.	DIMENSIONS	WEIGHT
45151	150 × 116 × 27 mm	3.3 kg
45004	Set mounting bores according to customer's request	
45002	Set keyways according to customer's request	

Suitable Quick-Lock: Item No. 44552 (page 60).

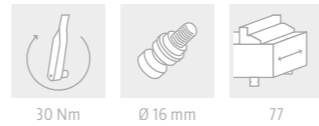
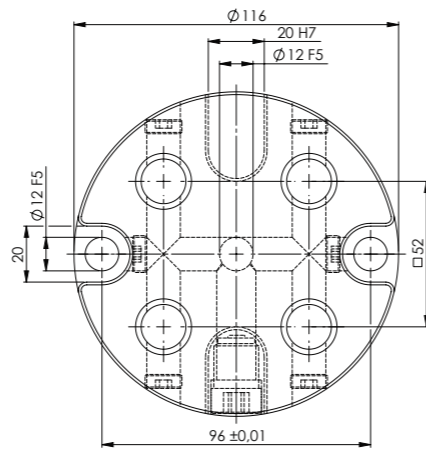


QUICK-POINT® 96, RECTANGULAR PLATE
192 × 156 × 27 MM, WITHOUT CLAMPING EDGE & MOUNTING BORES

ITEM NO.	DIMENSIONS	WEIGHT
45401	192 × 156 × 27 mm	5.9 kg
45004	Set mounting bores according to customer's request	
45002	Set keyways according to customer's request	

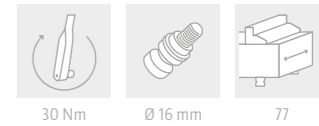
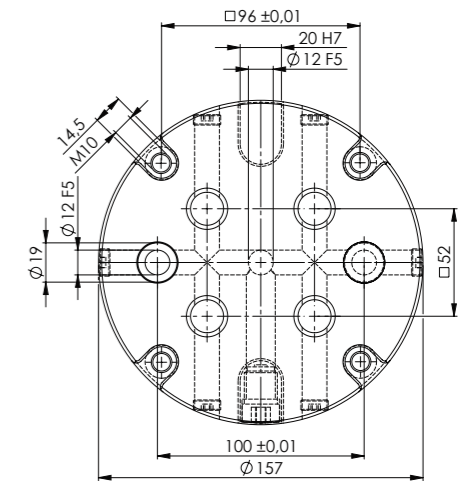
Suitable Quick-Lock: Item No. 44596 (page 60).

Quick-Point® Single Plates



QUICK-POINT® 52, ROUND PLATE
Ø 116 × 27 MM

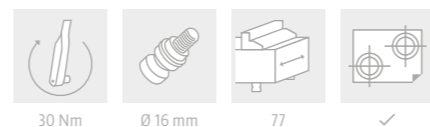
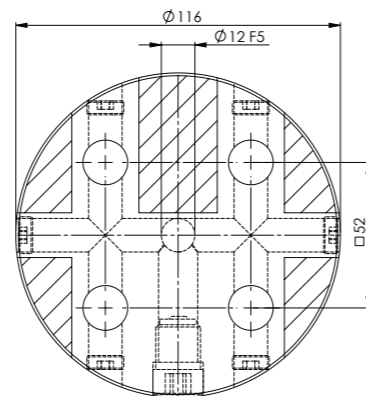
ITEM NO.	DIMENSIONS	MOUNTING BORES	WEIGHT
45750	Ø 116 × 27 mm	96 mm distance	1.8 kg



QUICK-POINT® 52, ROUND PLATE
Ø 157 × 27 MM

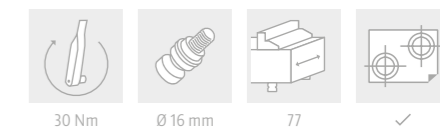
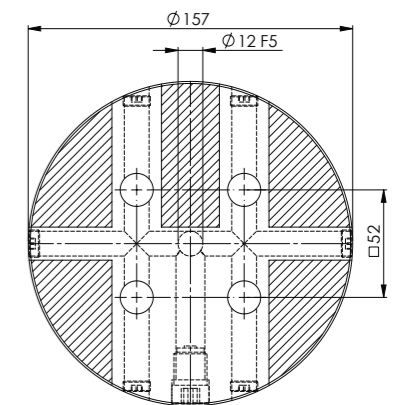
ITEM NO.	DIMENSIONS	MOUNTING BORES	WEIGHT
45900	Ø 157 × 27 mm	100 mm distance	3.4 kg

Note: This round plate can be turned into an adapter plate by inserting 4x Quick-Point® mounting bolts Ø 20 mm, Art. no. 45570, into the M10 threads.



QUICK-POINT® 52, ROUND PLATE
Ø 116 × 27 MM, WITHOUT MOUNTING BORES

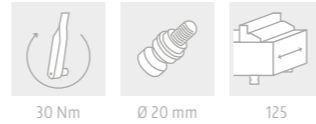
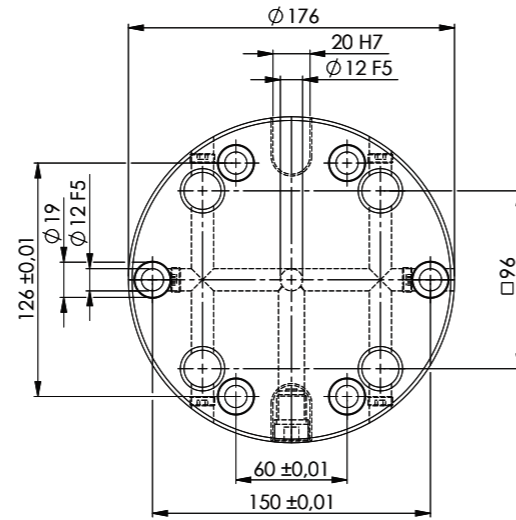
ITEM NO.	DIMENSIONS	WEIGHT
45751	Ø 116 × 27 mm	1.9 kg
45004	Set mounting bores according to customer's request	
45002	Set keyways according to customer's request	



QUICK-POINT® 52, ROUND PLATE
Ø 157 × 27 MM, WITHOUT MOUNTING BORES

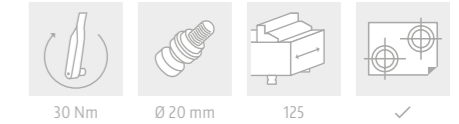
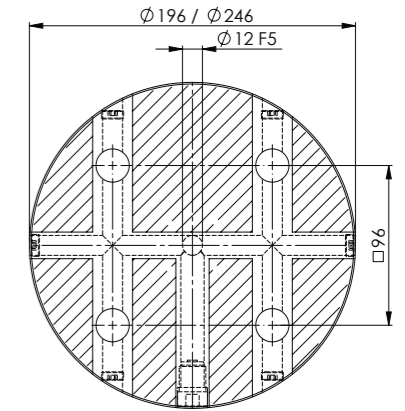
ITEM NO.	DIMENSIONS	WEIGHT
45901	Ø 157 × 27 mm	3.7 kg
45004	Set mounting bores according to customer's request	
45002	Set keyways according to customer's request	

Quick-Point® Single Plates



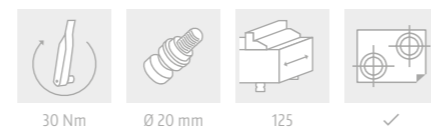
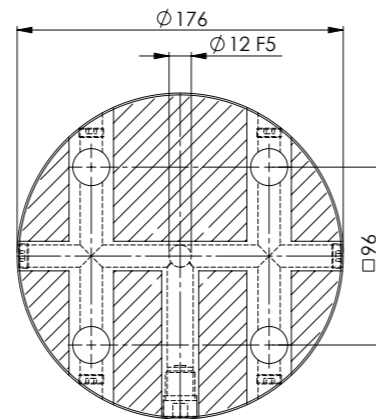
QUICK-POINT® 96, ROUND PLATE
Ø 176 × 27 MM

ITEM NO.	DIMENSIONS	MOUNTING BORES	WEIGHT
45800	Ø 176 × 27 mm	for 63 mm t-slot distance & 150 mm distance	4.5 kg



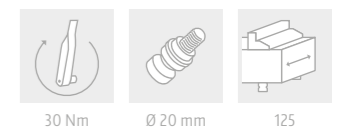
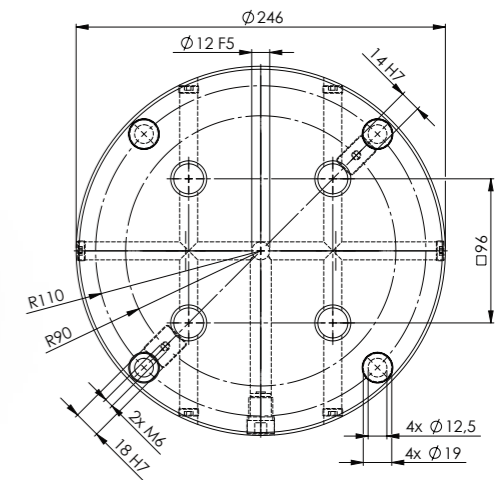
QUICK-POINT® 96, ROUND PLATES
Ø 196 / 246 × 27 MM, WITHOUT MOUNTING BORES

ITEM NO.	DIMENSIONS	WEIGHT
45820	Ø 196 × 27 mm	5.9 kg
45840	Ø 246 × 27 mm	9.5 kg
45004	Set mounting bores according to customer's request	
45002	Set keyways according to customer's request	



QUICK-POINT® 96, ROUND PLATE
Ø 176 × 27 MM, WITHOUT MOUNTING BORES

ITEM NO.	DIMENSIONS	WEIGHT
45801	Ø 176 × 27 mm	4.6 kg
45004	Set mounting bores according to customer's request	
45002	Set keyways according to customer's request	



QUICK-POINT® 96, ROUND PLATE
Ø 246 × 27 MM, WITH MOUNTING BORES FOR TABLES WITH 90° GROOVES

ITEM NO.	DIMENSIONS	MOUNTING BORES	WEIGHT
45890	Ø 246 × 27 mm	4 × 90° / Radius 110 mm	9.2 kg

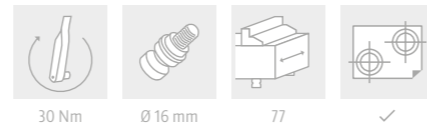
Suitable slot keys: Item No. 452214 / 45218 (page 63).

Quick-Point® Single Plates for individual center bore

A center bore with individually selectable diameter and tolerance provides the option for access to rotary joints.



QUICK-POINT® 52, ROUND PLATE
Ø 157 × 27 MM, FOR INDIVIDUAL CENTER BORE



ITEM NO.	DIMENSIONS	MAX. Ø CENTER BORE	WEIGHT
45903	Ø 157 × 27 mm	38 mm	3.7 kg
45004		Set mounting bores according to customer's request	
45002		Set keyways according to customer's request	
45009		Set center bore according to customer's request	

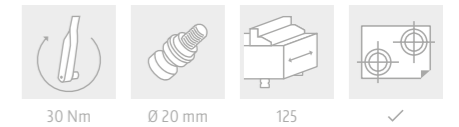
Possible Modification of Quick-Point® Plate 45903



- 1 × Center bore Ø 38 mm
- 1 × Keyway 20H7
- 4 × Mounting bores for M8 screws, incl. step for Ø 15 mm cover discs, for machine tables with 6 × 60° grooves



QUICK-POINT® 96, ROUND PLATES
Ø 176 / 196 / 246 × 27 MM, FOR INDIVIDUAL CENTER BORE



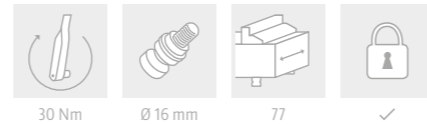
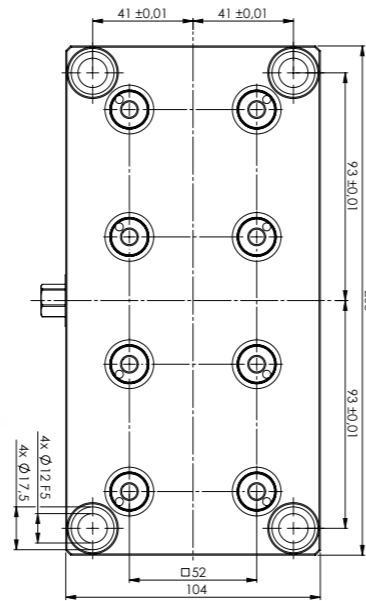
ITEM NO.	DIMENSIONS	MAX. Ø CENTER BORE	WEIGHT
45803	Ø 176 × 27 mm	80 mm	4.8 kg
45823	Ø 196 × 27 mm	80 mm	5.9 kg
45843	Ø 246 × 27 mm	80 mm	9.6 kg
45004		Set mounting bores according to customer's request	
45002		Set keyways according to customer's request	
45009		Set center bore according to customer's request	

Possible Modification of Quick-Point® Plate 45823



- 1 × Center bore Ø 80 mm
- 1 × 130H6 tapered fitting
- 4 × Mounting bores for M12 screws, incl. step for Ø 20 mm cover discs, for machine tables with 6 × 60° grooves

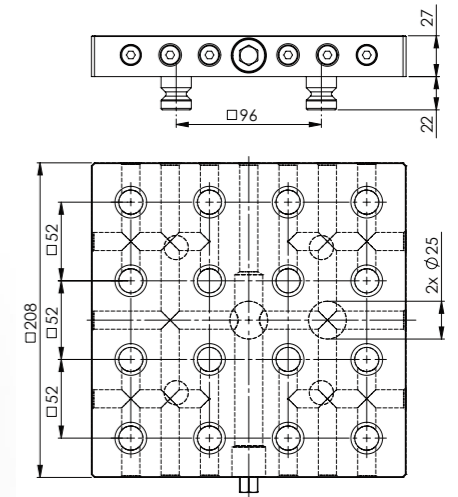
Quick-Point® Multi Plates



QUICK-POINT® 52, 2-FOLD GRID PLATE
208 × 104 × 27 MM

ITEM NO.	DIMENSIONS	MOUNTING BORES	WEIGHT
45621	208 × 104 × 27 mm	186 × 82 mm	4.0 kg

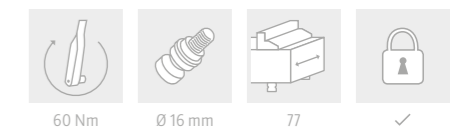
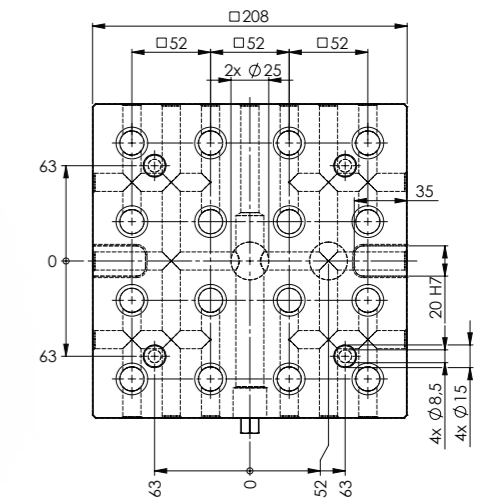
Suitable Quick-Lock: Item No. 45252 (page 60).



QUICK-POINT® 52, 4-FOLD GRID PLATE
208 × 208 × 27 MM, WITHOUT MOUNTING BORES

ITEM NO.	DIMENSIONS	WEIGHT
45640	208 × 208 × 27 mm	8.6 kg
45644	Set mounting bores according to customer's request	
45642	Set keyways according to customer's request	

Included in delivery: 4 × Quick-Point® clamping studs Ø 20 mm, for adapting the plate to the Quick-Point® 96 system.
Suitable Quick-Lock: Item No. 45452 (page 60).

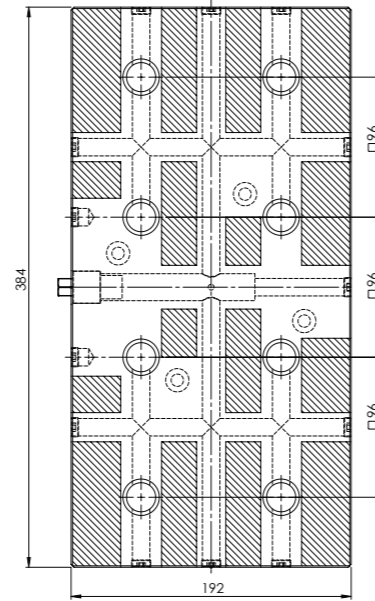


QUICK-POINT® 52, 4-FOLD GRID PLATE
208 × 208 × 27 MM, WITH MOUNTING BORES FOR 63 MM T-SLOT DISTANCE

ITEM NO.	DIMENSIONS	MOUNTING BORES	WEIGHT
45641	208 × 208 × 27 mm	for 63 mm t-slot distance	8.3 kg

Suitable Quick-Lock: Item No. 45452 (page 60).

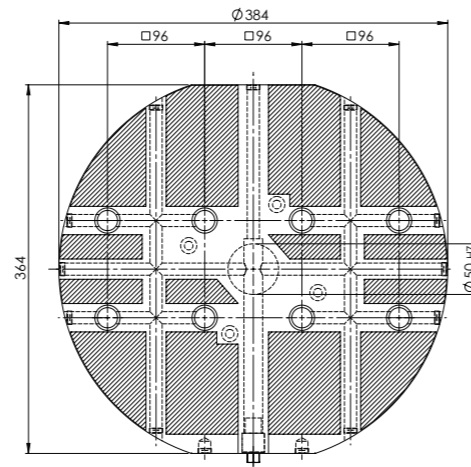
Quick-Point® Multi Plates



QUICK-POINT® 96, 2-FOLD GRID PLATE
384 × 192 × 27 MM, WITHOUT MOUNTING BORES

ITEM NO.	DIMENSIONS	WEIGHT
45720	384 × 192 × 27 mm	14.9 kg
45024	Set mounting bores according to customer's request	
45022	Set keyways according to customer's request	

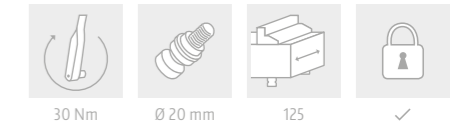
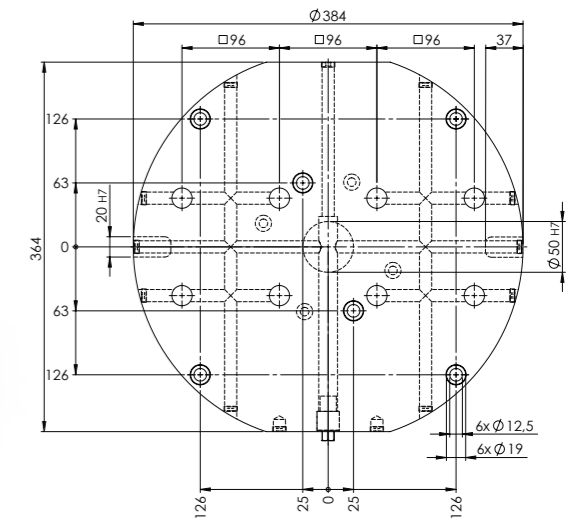
Suitable Quick-Lock: Item No. 45296 (page 60).



QUICK-POINT® 96, 2-FOLD GRID PLATE, ROUND
Ø 384 × 27 MM, WITHOUT MOUNTING BORES

ITEM NO.	DIMENSIONS	WEIGHT
45962	Ø 384 × 27 mm	23.4 kg
45044	Set mounting bores according to customer's request	
45042	Set keyways according to customer's request	

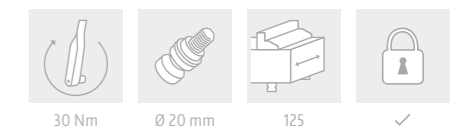
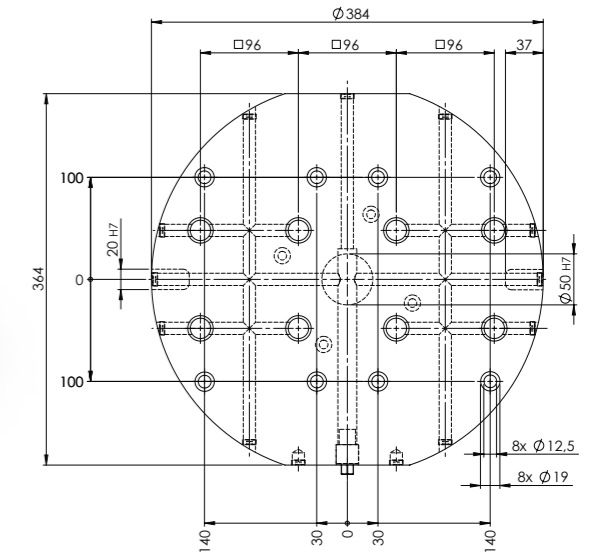
Suitable Quick-Lock: Item No. 45996 (page 60).



QUICK-POINT® 96, 2-FOLD GRID PLATE, ROUND
Ø 384 × 27 MM, WITH MOUNTING BORES FOR 63 MM T-SLOT DISTANCE

ITEM NO.	DIMENSIONS	MOUNTING BORES	WEIGHT
45963	Ø 384 × 27 mm	for 63 mm t-slot distance	22.5 kg

Suitable Quick-Lock: Item No. 45996 (page 60).

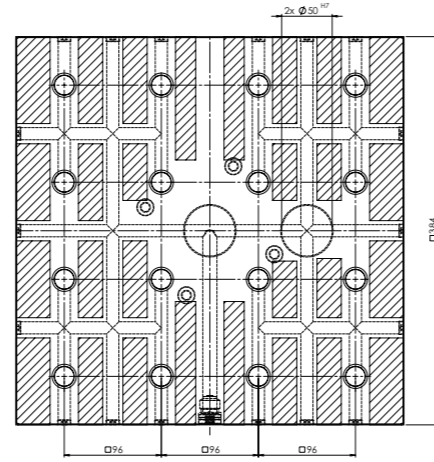


QUICK-POINT® 96, 2-FOLD GRID PLATE, ROUND
Ø 384 × 27 MM, WITH MOUNTING BORES FOR 100 MM T-SLOT DISTANCE

ITEM NO.	DIMENSIONS	MOUNTING BORES	WEIGHT
45964	Ø 384 × 27 mm	for 100 mm t-slot distance	22.4 kg

Suitable Quick-Lock: Item No. 45996 (page 60).

Quick-Point® Multi Plates



QUICK-POINT® 96, 4-FOLD GRID PLATE
384 × 384 × 27 MM, WITHOUT MOUNTING BORES

ITEM NO.	DIMENSIONS	WEIGHT
45740	384 × 384 × 27 mm	29.9 kg
45044	Set mounting bores according to customer's request	
45042	Set keyways according to customer's request	

Suitable Quick-Lock: Item No. 45496 (page 60).

Applications

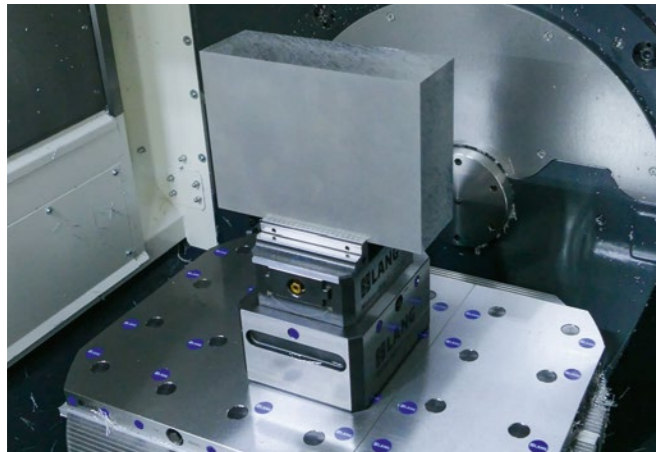


Image: Donner GmbH The Qualifactory

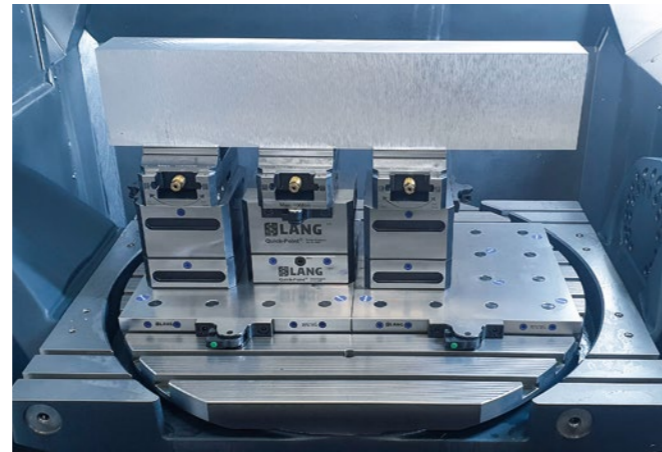
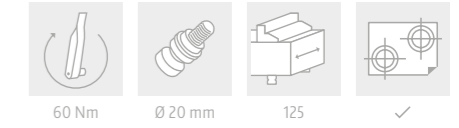
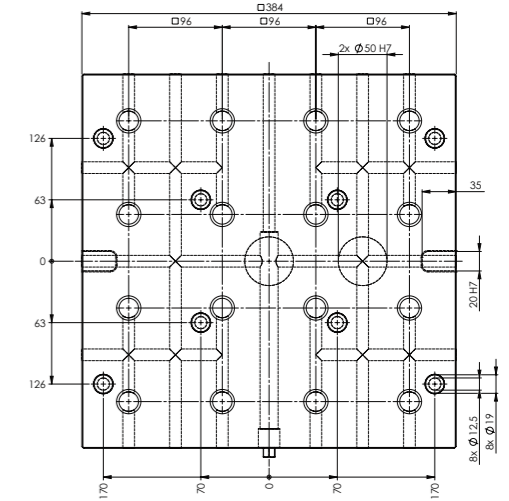


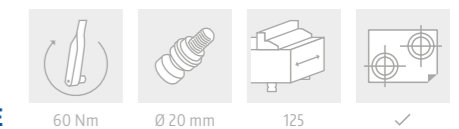
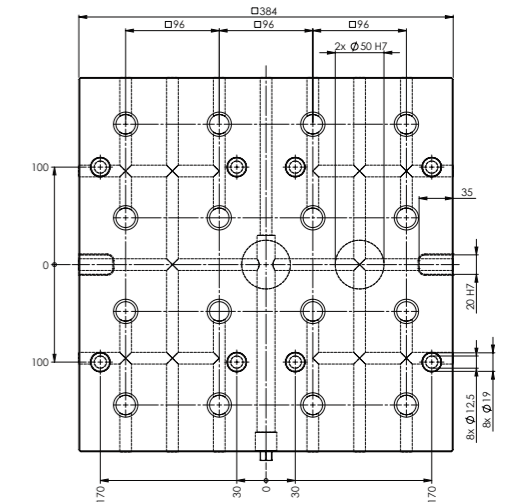
Image: Orrhaga Waterjet AB



QUICK-POINT® 96 4-FOLD GRID PLATE
384 × 384 × 27 MM, WITH MOUNTING BORES FOR 63 MM T-SLOT DISTANCE

ITEM NO.	DIMENSIONS	MOUNTING BORES	WEIGHT
45741	384 × 384 × 27 mm	for 63 mm t-slot distance	29.4 kg

Suitable Quick-Lock: Item No. 45496 (page 60).



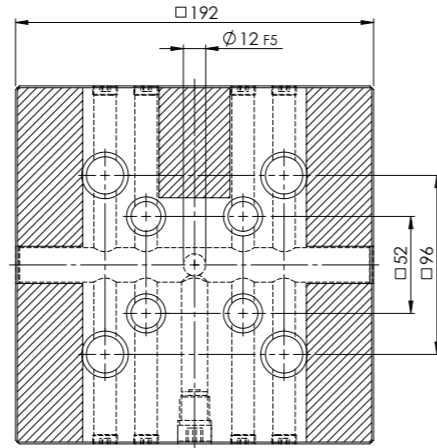
QUICK-POINT® 96, 4-FOLD GRID PLATE
384 × 384 × 27 MM, WITH MOUNTING BORES FOR 100 MM T-SLOT DISTANCE

ITEM NO.	DIMENSIONS	MOUNTING BORES	WEIGHT
45742	384 × 384 × 27 mm	for 100 mm t-slot distance	29.4 kg

Suitable Quick-Lock: Item No. 45496 (page 60).

Quick-Point® Combo Plates

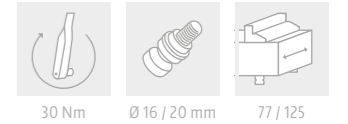
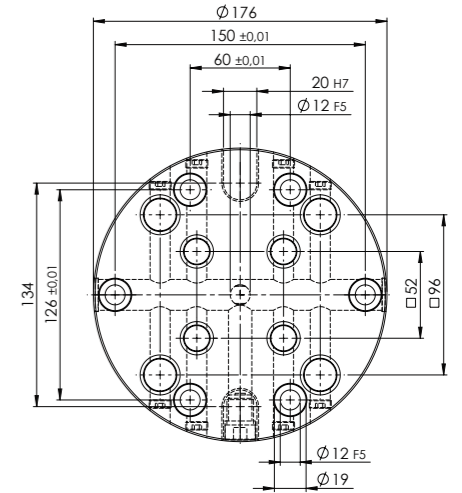
NEW



QUICK-POINT® 52 / 96, COMBO GRID PLATE
192 × 192 × 27 MM, WITHOUT MOUNTING BORES

ITEM NO.	DIMENSIONS	WEIGHT
45748	192 × 156 × 27 mm	7,1 kg
45004	Set mounting bores according to customer's request	
45002	Set keyways according to customer's request	

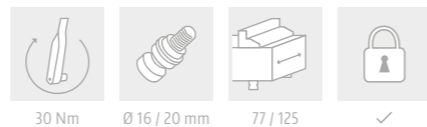
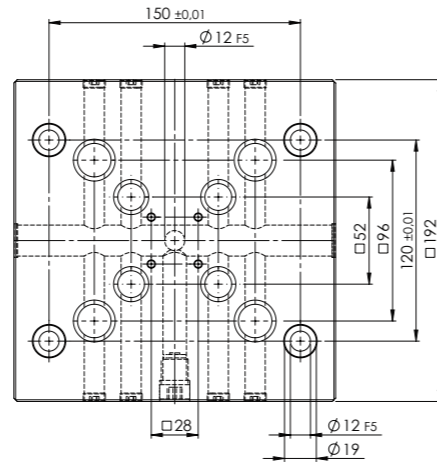
NEW



QUICK-POINT® 52 / 96, COMBO ROUND PLATE
Ø 176 × 27 MM

ITEM NO.	DIMENSIONS	MOUNTING BORES	WEIGHT
45480	Ø 176 × 27 mm	for 63 mm t-slot distance & 150 mm distance	4,3 kg

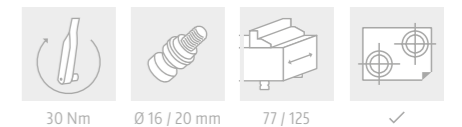
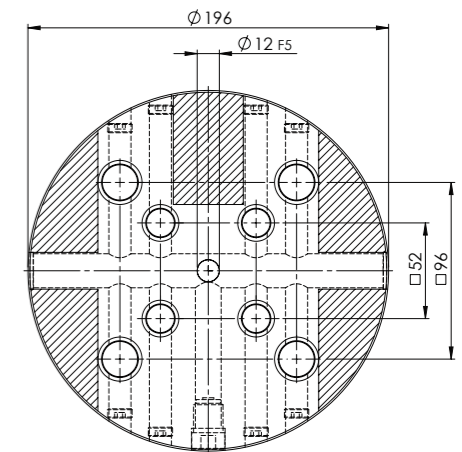
NEW



QUICK-POINT® 52 / 96, COMBO GRID PLATE
192 × 192 × 27 MM, WITH MOUNTING BORES FOR QUICK-TOWER

ITEM NO.	DIMENSIONS	MOUNTING BORES	WEIGHT
75748	192 × 192 × 27 mm	150 × 120 mm	7,2 kg

NEW

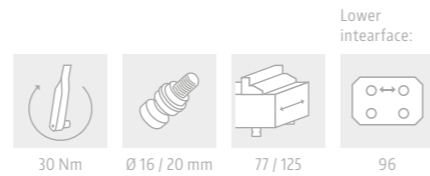
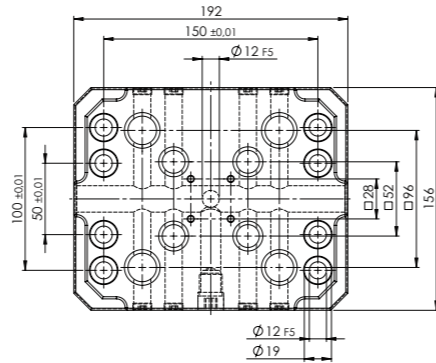


QUICK-POINT® 52 / 96, COMBO ROUND PLATE Ø 196 X 27 MM

ITEM NO.	DIMENSIONS	WEIGHT
45482	Ø 196 × 27 mm	5,6 kg
45004	Set mounting bores according to customer's request	
45002	Set keyways according to customer's request	

Quick-Point® Combo Plates

NEW



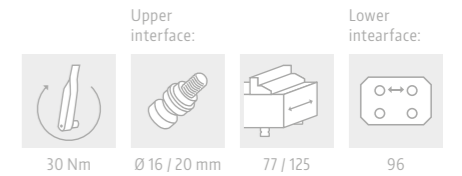
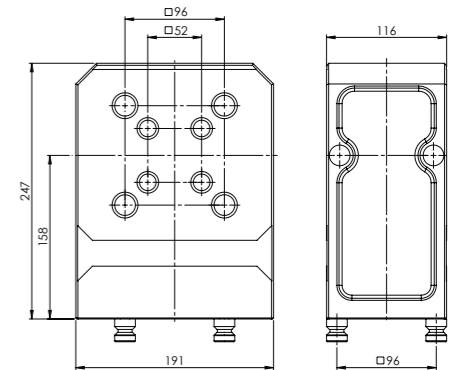
QUICK-POINT® 52 / 96, COMBO PLATE WITH CLAMPING EDGE
192 × 156 × 27 MM

ITEM NO.	DIMENSIONS	MOUNTING BORES	WEIGHT
45448	192 × 156 × 27 mm	150 × 100 / 50 mm	5,0 kg

Suitable Quick-Lock: Item No. 44552 or 44596 (page 60).

Quick-Point® Combo Twin Base

NEW



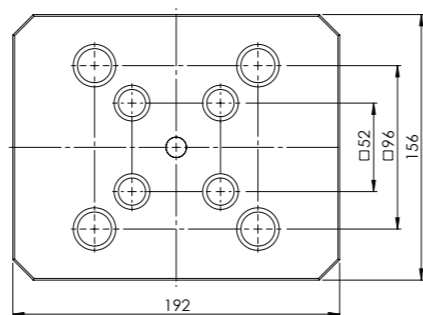
QUICK-POINT® 52 / 96, COMBO TWIN BASE

ITEM NO.	DIMENSIONS	WEIGHT
47548	192 × 116 × 247 mm	27,5 kg

Included: 4 Quick-Point® clamping studs Ø 20 mm.

Quick-Point® Combo 5-Axis Riser

NEW



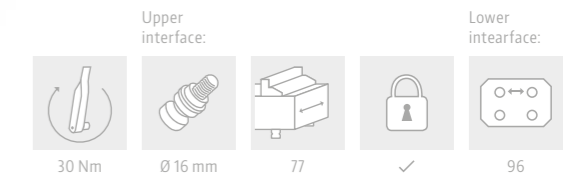
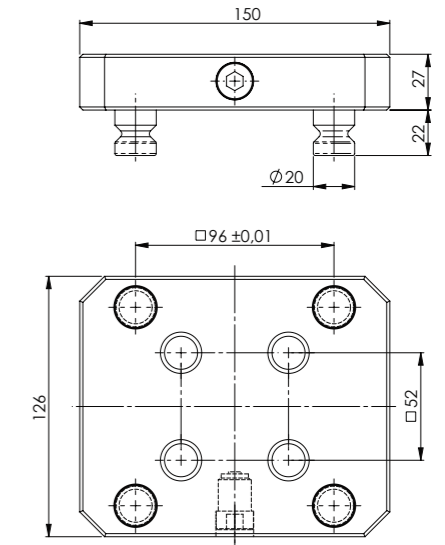
QUICK-POINT® 52 / 96, COMBO 5-AXIS RISER

ITEM NO.	DIMENSIONS	WEIGHT
45486	192 × 156 × 60 mm	11,2 kg
45487	192 × 156 × 100 mm	18,2 kg

Included: 4 Quick-Point® clamping studs Ø 20 mm.
Suitable Quick-Lock: Item No. 44552 or 44596 (page 60).

Quick-Point® Adaptor Plates

The adaptor plate emphasizes the modularity and versatility of the zero-point clamping system. It facilitates the change from the large 96 mm grid size to the small 52 mm grid size if the user has not only large but also small clamping devices in use. Here, and thanks to the raised position of the clamping device, the adaptor plate improves accessibility when machining small components.



QUICK-POINT® ADAPTOR PLATE
150 × 126 × 27 MM

ITEM NO.	DIMENSIONS	WEIGHT
45160	150 × 126 × 27 mm	3.5 kg

Suitable Quick-Lock: Item No. 44552 (page 60).

Applications

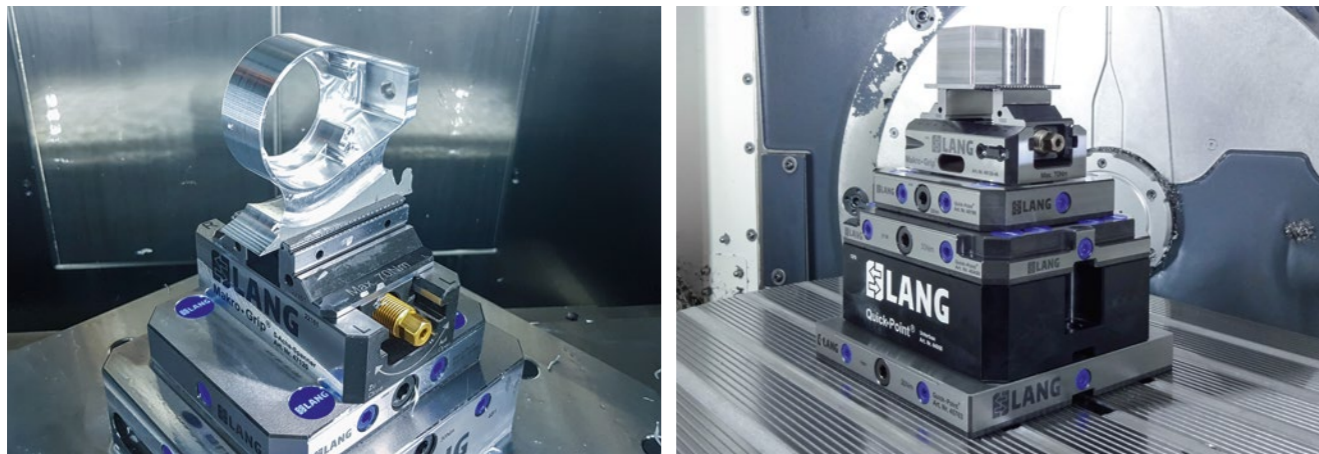
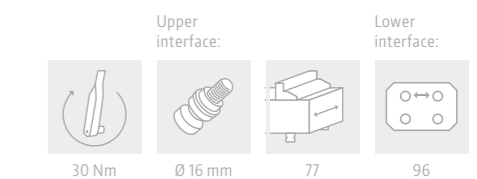
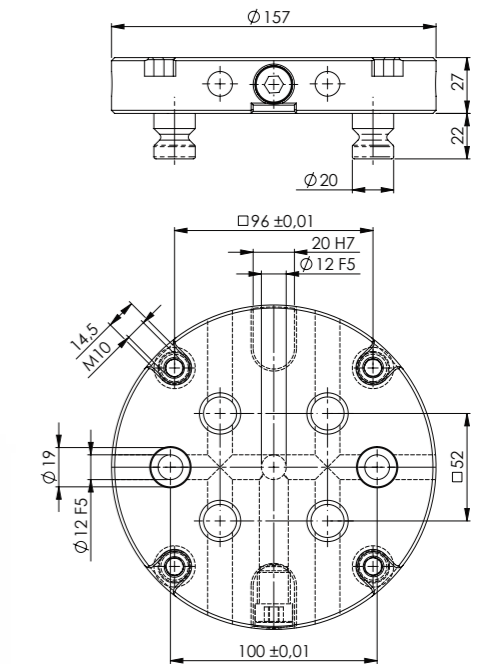


Image: Thoma Tec



Image: Ratiotechnik Milde GmbH
40



QUICK-POINT® ADAPTOR PLATE, ROUND
Ø 157 × 27 MM

ITEM NO.	DIMENSIONS	WEIGHT
45910	Ø 157 × 27 mm	3.6 kg

Quick-Point® 5-Axis Risers

5-Axis Risers improve accessibility in 5-sided machining and extend, thanks to the integrated Quick-Point® mounting bolts on their underside, the zero-point clamping system on the machine table quickly and precisely. Vises, fixtures or workpieces are clamped directly in the robust yet handy 5-Axis Riser.



The Quick-Point® 52 Riser also features bores for Ø 20 mm clamping studs in order to being able to use it as an adaptor for the 96 mm grid system.

Applications

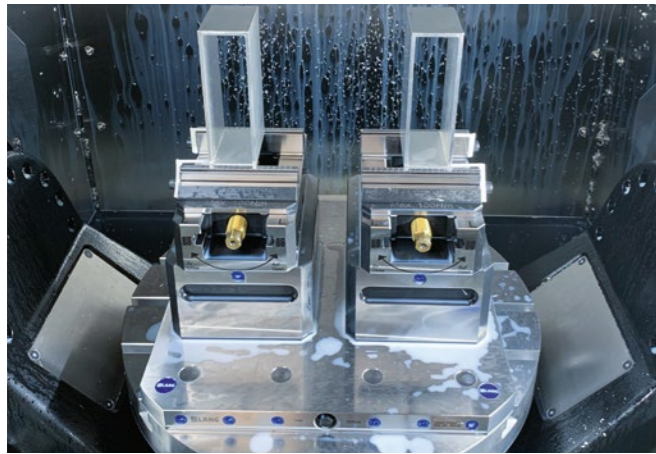


Image: CNC-Manufaktur Brüßow GmbH & Co. KG

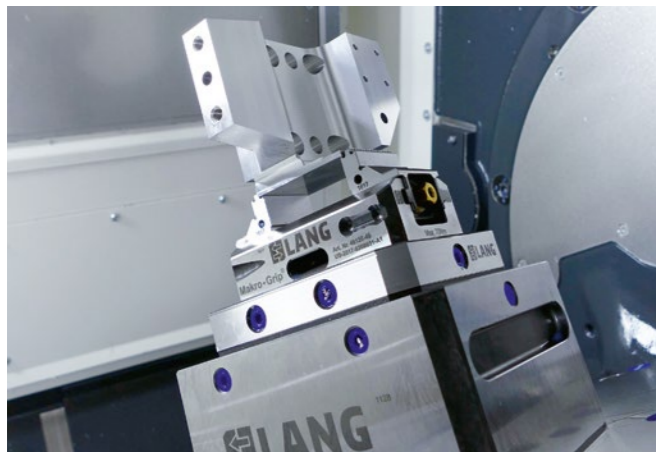
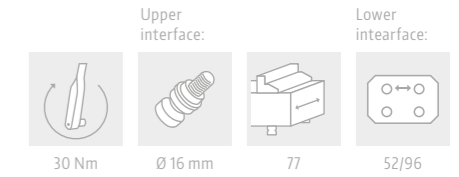
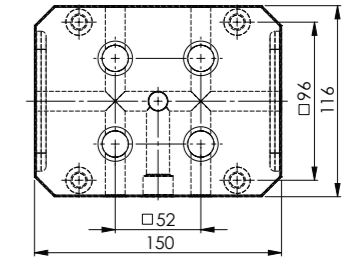
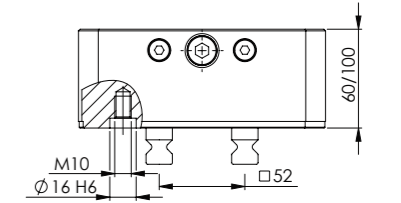


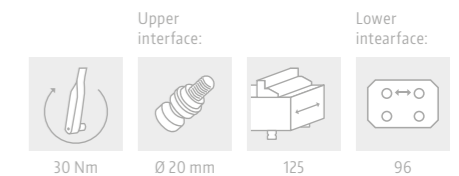
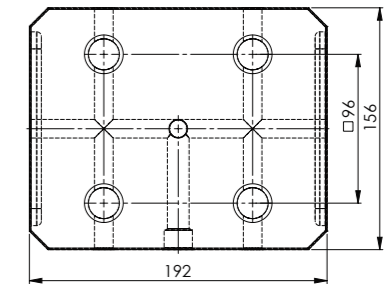
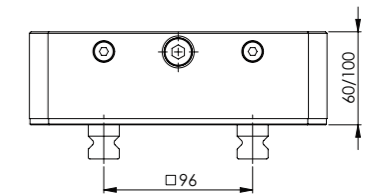
Image: Donner GmbH The Qualifactory
42



QUICK-POINT® 52, 5-AXIS RISER

ITEM NO.	DIMENSIONS	WEIGHT
45156	150 × 116 × 60 mm	6.1 kg
45157	150 × 116 × 100 mm	9.9 kg

Included: 4 × Quick-Point® clamping studs Ø 16 mm.
Suitable Quick-Lock: Item No. 44552 (page 60).



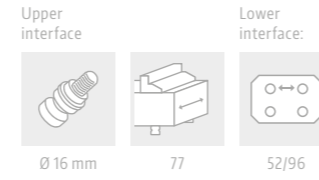
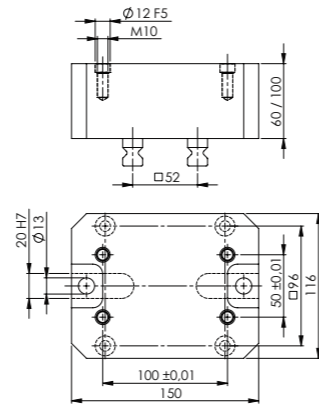
QUICK-POINT® 96, 5-AXIS RISER

ITEM NO.	DIMENSIONS	WEIGHT
45406	192 × 156 × 60 mm	11.2 kg
45407	192 × 156 × 100 mm	18.0 kg

Included: 4 × Quick-Point® clamping studs Ø 20 mm.
Suitable Quick-Lock: Item No. 44596 (page 60).

Quick-Point® Risers

The aluminium riser improves accessibility in 5-sided machining and can either be mounted directly and firmly on the machine table or set up and removed on a zero-point plate. It is available in round and rectangular versions in heights of 60 and 100 mm. The zero-point plates are pinned, aligned and mounted to the riser via bushings.



QUICK-POINT® 52, RISER

ITEM NO.	DIMENSIONS	WEIGHT
43060	150 × 116 × 60 mm	2.6 kg
43100	150 × 116 × 100 mm	4.7 kg

Suitable for Quick-Point® Plate, Item No. 45150.

Included: 4 × Quick-Point® clamping studs Ø 16 mm, 4 screws M 10 + 2 bushings Ø 12 × 12 mm (Item No. 45000-09).

This riser also features bores for Ø 20 mm clamping studs in order to be able to use it as an adaptor for the 96 mm grid system.

Applications

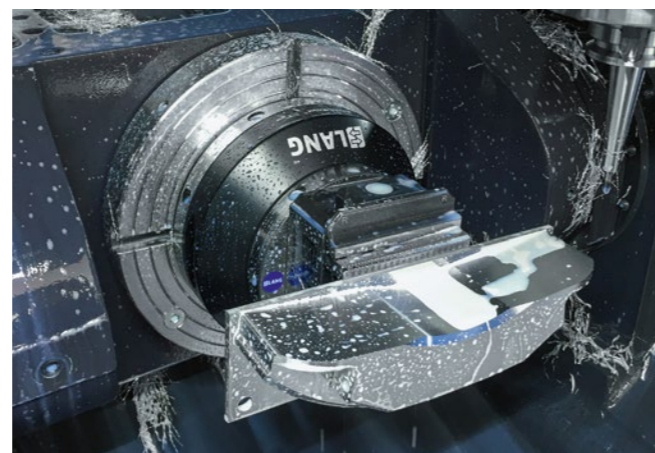
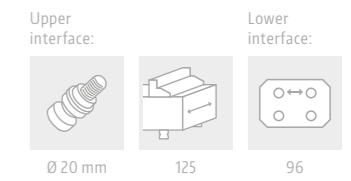
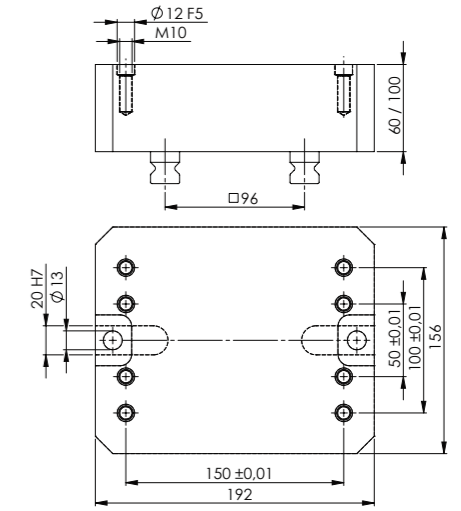


Image: Powerbrake SA

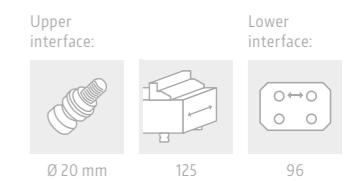
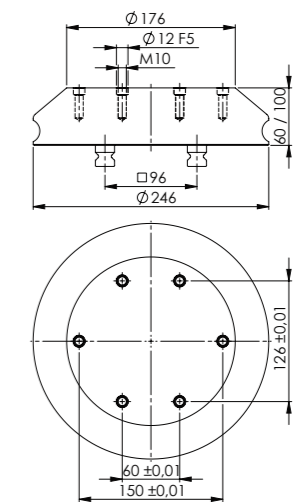


QUICK-POINT® 96, RISER

ITEM NO.	DIMENSIONS	WEIGHT
44060	192 × 156 × 60 mm	4.7 kg
44100	192 × 156 × 100 mm	7.9 kg

Suitable for Quick-Point® Plate, Item No. 45400.

Included: 4 × Quick-Point® clamping studs Ø 20 mm, 4 screws M 10 + 2 bushings Ø 12 × 12 mm (Item No. 45000-09).



QUICK-POINT® 96, RISER, ROUND

ITEM NO.	HEIGHT	DIAMETER	WEIGHT
44006	60 mm	bottom: 246 mm, top: 176 mm	7.3 kg
44010	100 mm	bottom: 246 mm, top: 176 mm	12.6 kg

Suitable for Quick-Point® plate Item No. 45800.

Included: 4 × Quick-Point® clamping studs Ø 20 mm, 6 screws M 10 + 2 bushings Ø 12 × 12 mm (Item No. 45000-09).

Individual mounting bores in the area of the flange possible.

Quick-Point® 3-face Pyramid

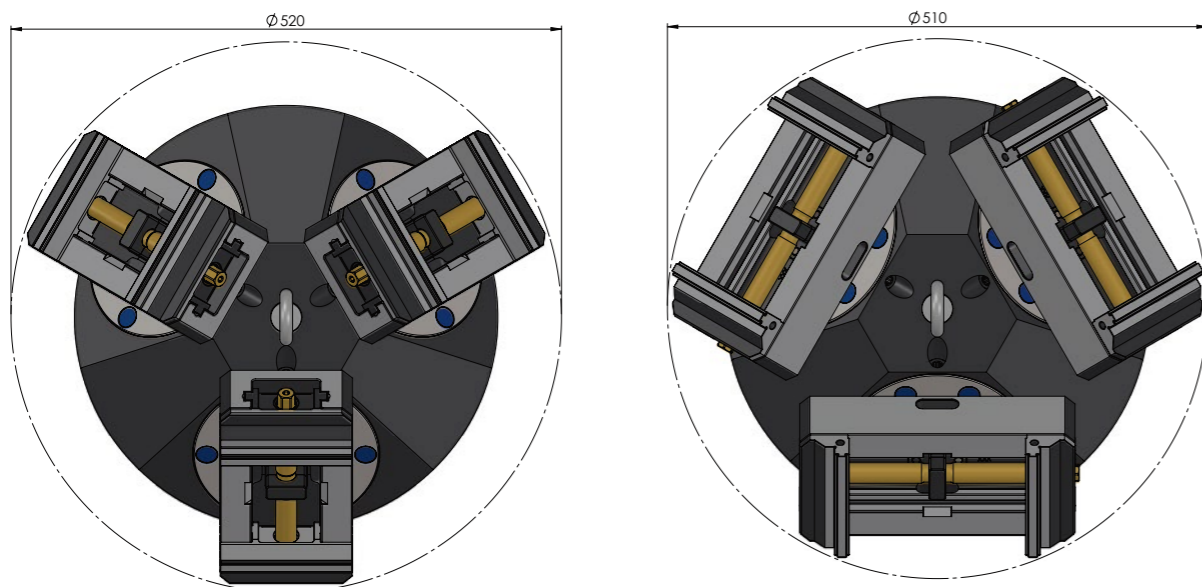
The high-strength, aluminium 3-face Pyramid with integrated Quick-Point® round plates is designed for increasing the run time of 5-axis machine tools.



QUICK-POINT® 96, 3-FACE PYRAMID

ITEM NO.	DIMENSIONS	WEIGHT
43400	Ø 400 × 150 mm	43.0 kg

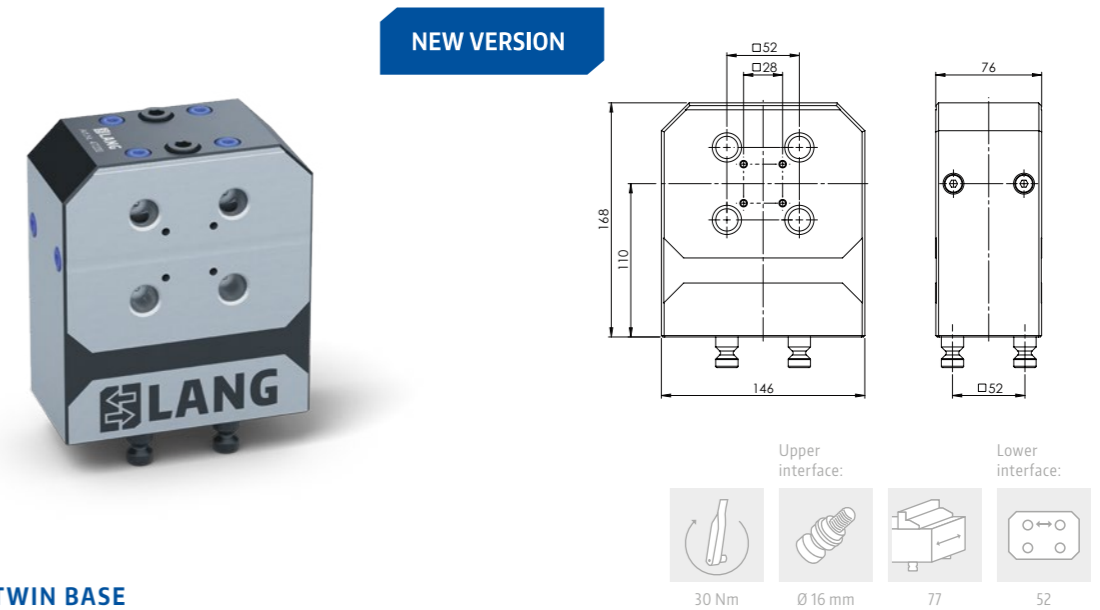
Included: 4 × Quick-Point® clamping studs Ø 20 mm



The 3-face Pyramid can accept Makro-Grip® 5-Axis Vises 125 with a maximum length of 210 mm when mounted vertically (left), whereas the maximum length is 260 mm when mounted horizontally (right).

Quick-Point® Twin Base

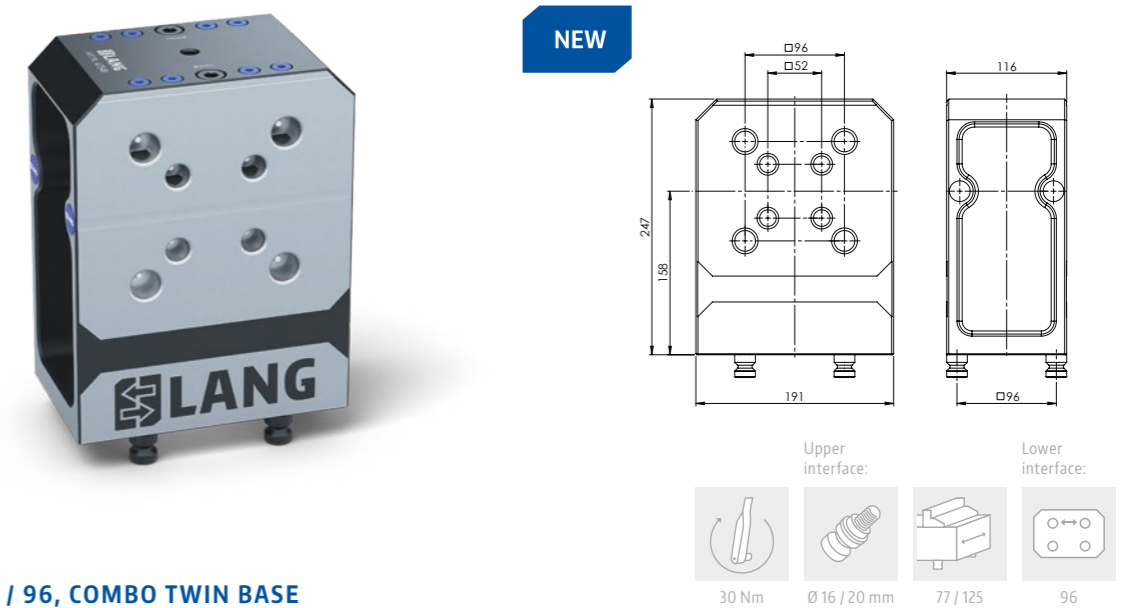
The hardened and ground Twin Base is ideal for manufacturing 5-axis parts with a 3-axis machine tool. Workpieces can be positioned 4 × 90° safely and with a high repeat accuracy.



QUICK-POINT® 52, TWIN BASE

ITEM NO.	DIMENSIONS	WEIGHT
47220	146 × 76 × 168 mm	13.8 kg

Suitable Quick-Lock: Item No. 44552 (page 60).

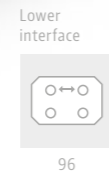
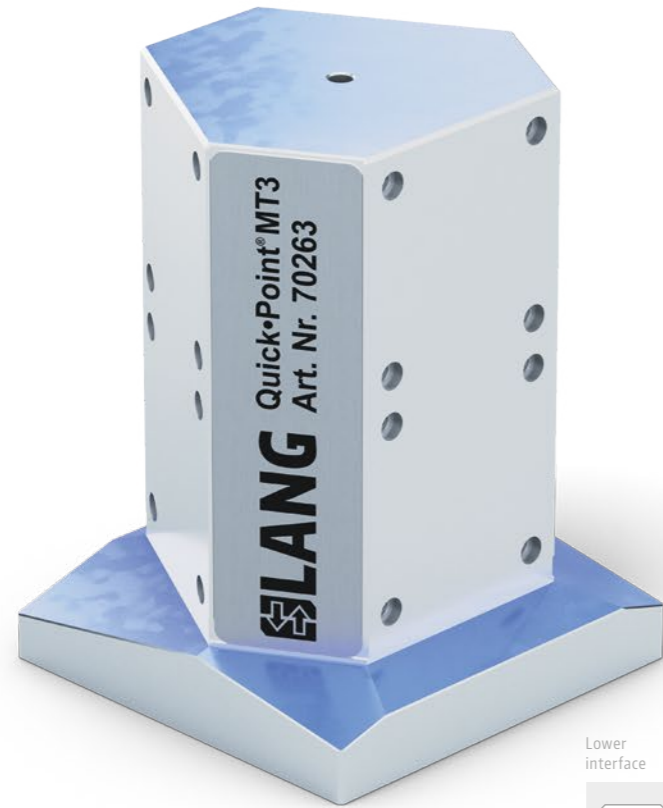


QUICK-POINT® 52 / 96, COMBO TWIN BASE

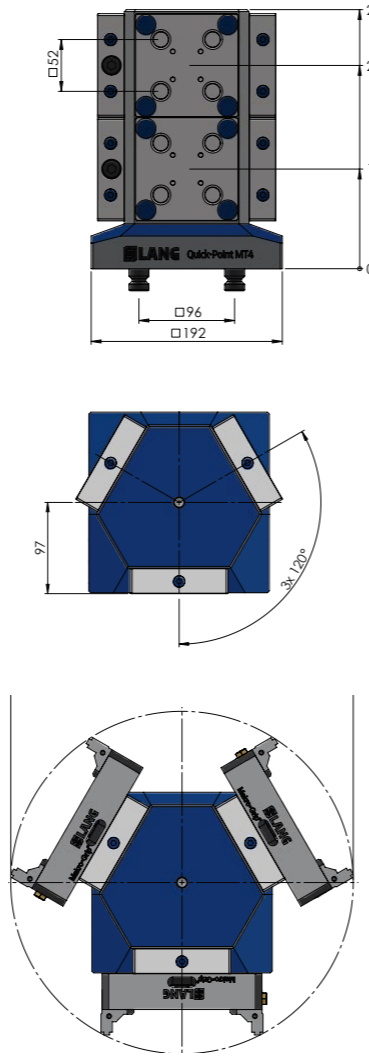
ITEM NO.	DIMENSIONS	WEIGHT
47548	192 × 116 × 247 mm	27,5 kg

Included: 4 Quick-Point® clamping studs Ø 20 mm.

Quick-Point® MT3 3-face Tombstone



The 3-face Tombstone can accept all vises with a jaw width of 46 and 77 mm when mounted horizontally.

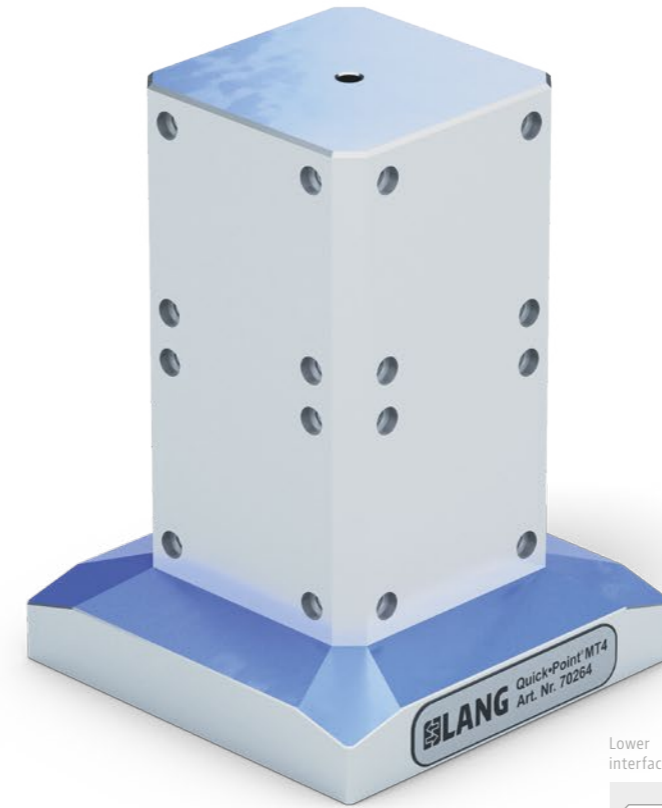


QUICK-POINT® MT3, 3-FACE TOMBSTONE

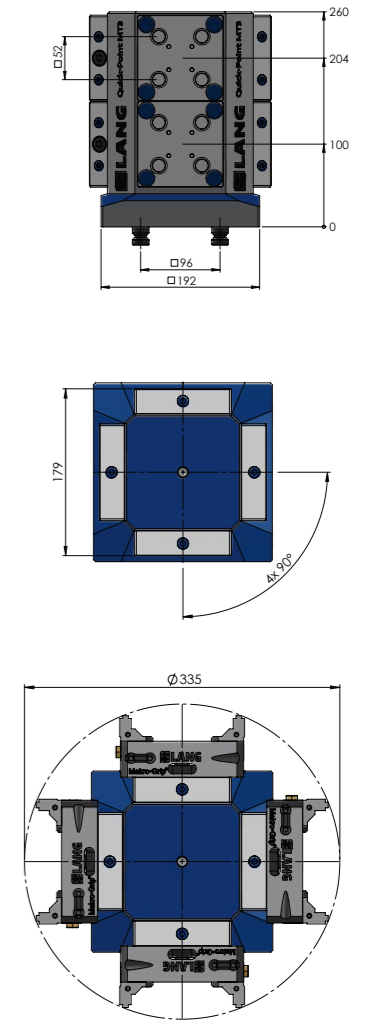
ITEM NO.	DIMENSIONS	MAX. QTY OF GRID PLATES	WEIGHT
70263	192 × 192 × 260 mm	6 × 75600 or 3 × 45621	44.8 kg

Included: 4 × Quick-Point® clamping studs Ø 20 mm.

Quick-Point® MT4 4-face Tombstone



The 4-face Tombstone can accept vises (jaw width 46 / 77) with a max. base length of 130 mm when mounted horizontally.



QUICK-POINT® MT4, 4-FACE TOMBSTONE

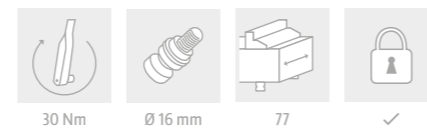
ITEM NO.	DIMENSIONS	MAX. QTY OF GRID PLATES	WEIGHT
70264	192 × 192 × 260 mm	8 × 75600 or 4 × 45621	37.7 kg

Included: 4 × Quick-Point® clamping studs Ø 20 mm.

Suitable Quick-Point® Plate for both Tombstones:



QUICK-POINT® 52 GRID PLATE, 104 × 104 × 27 MM



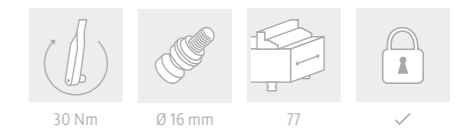
ITEM NO.	DIMENSIONS	MOUNTING BORES	WEIGHT
75600	104 × 104 × 27 mm	82 × 82 mm	1.8 kg

Drawing on page 18.

Suitable Quick-Point® Plate for both Tombstones:



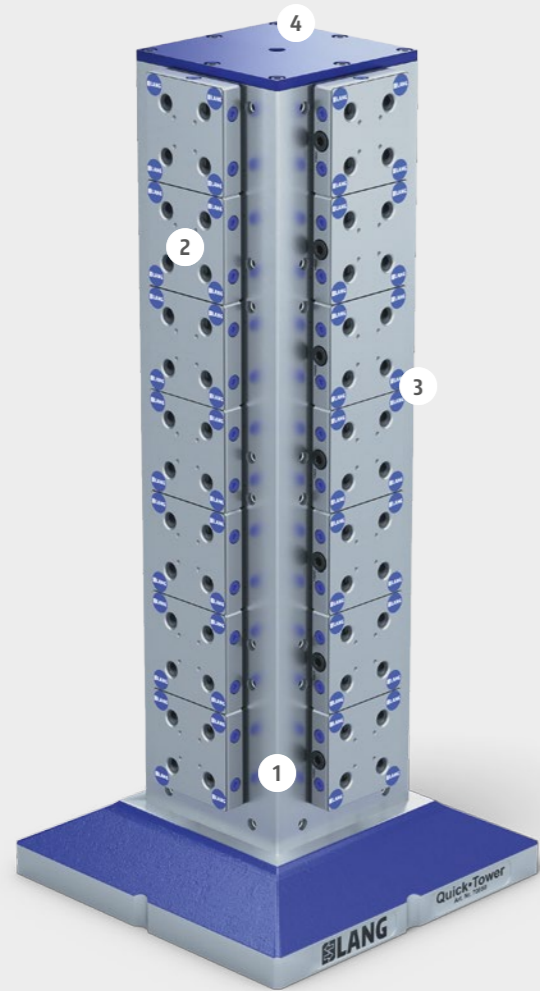
QUICK-POINT® 52 2-FOLD GRID PLATE, 208 × 104 × 27 MM



ITEM NO.	DIMENSIONS	MOUNTING BORES	WEIGHT
45621	208 × 104 × 27 mm	186 × 82 mm	4.0 kg

Drawing on page 30.

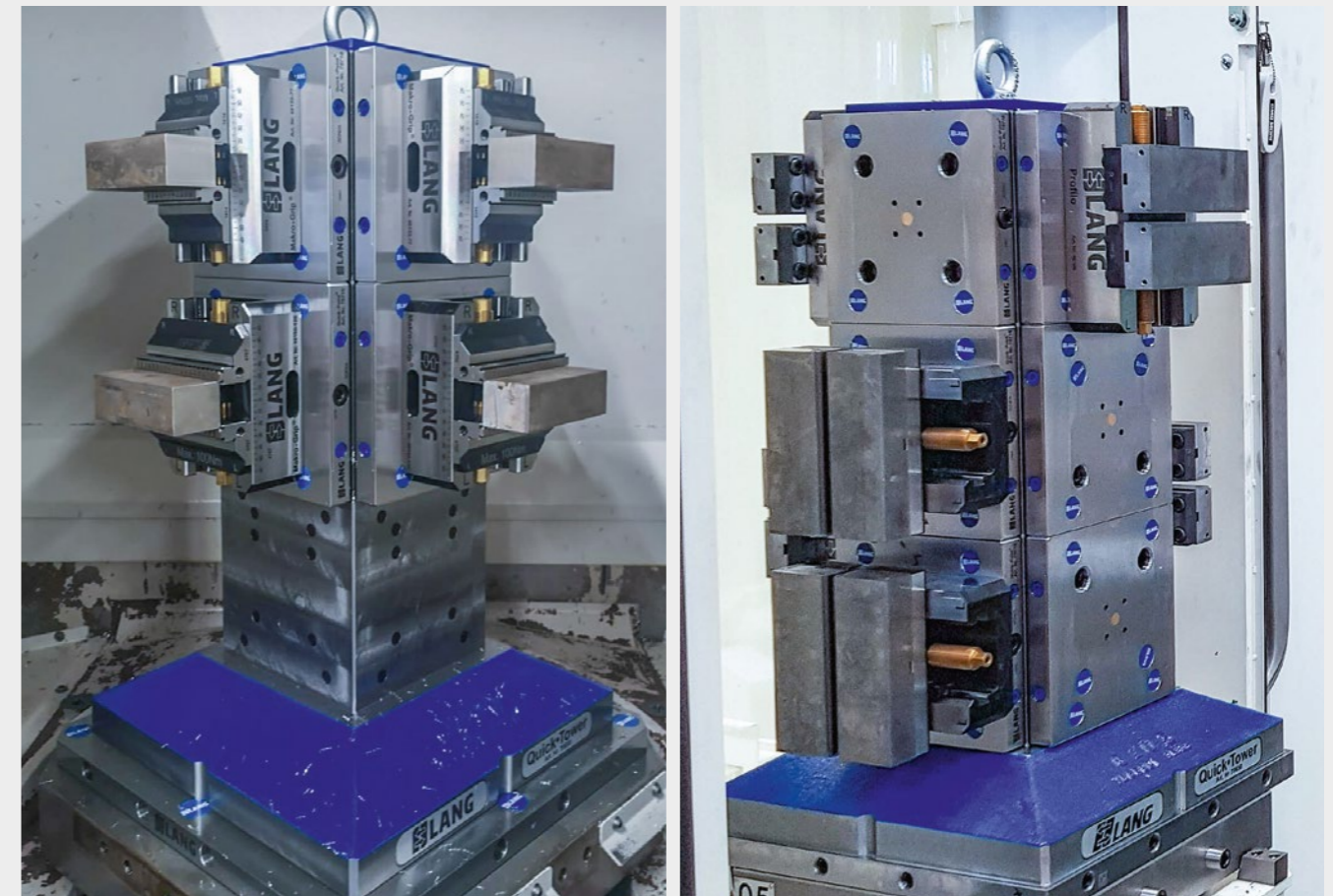
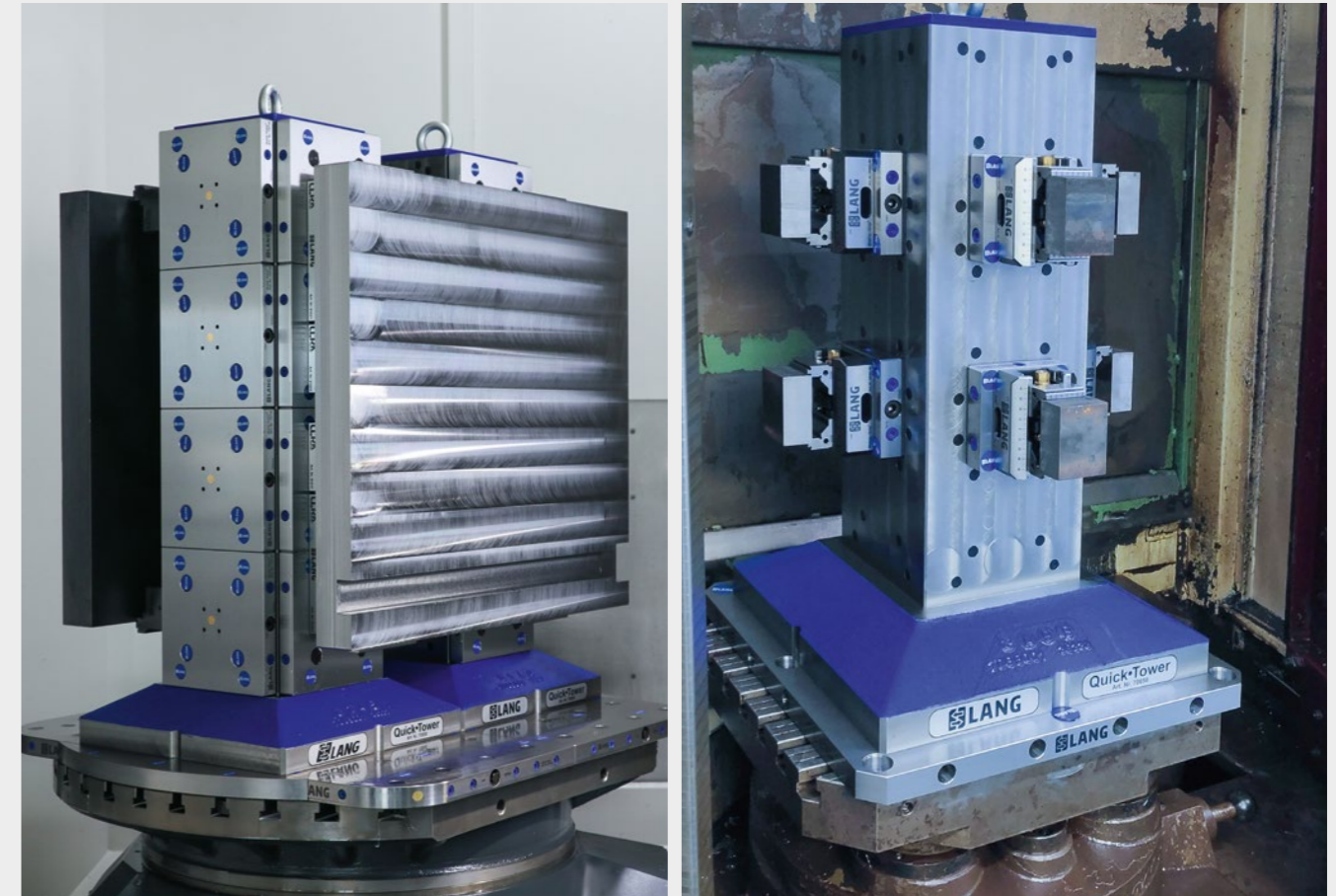
Quick-Tower – The zero-point clamping system for horizontal machining centers



- 1 Stable and sturdy cast body with a plane parallelism of ± 0.02 mm
- 2 Up to 28 \times Quick-Point® Grid Plates 52 and 16 \times Quick-Point® Grid Plates 96 can be mounted depending on the size of the Quick-Tower
- 3 Continuous zero-point grid on all four faces
- 4 Included in delivery: Eye bolt for transport via crane
- 5 Equipped with 12 \times Quick-Point® clamping studs $\varnothing 20$ mm

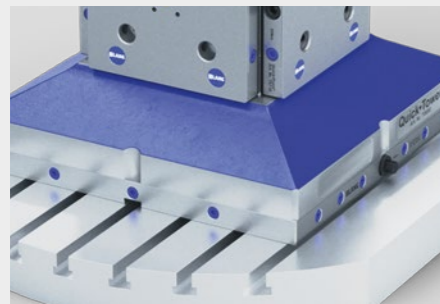


Applications

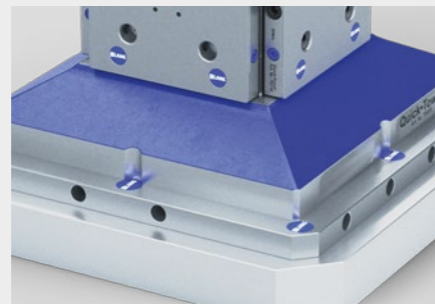


Mounting options

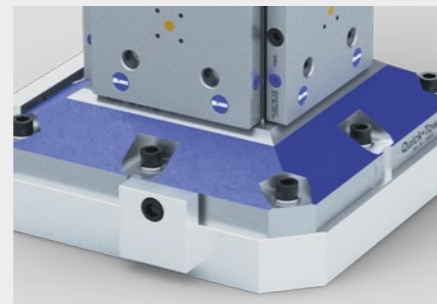
For mounting the Quick-Tower onto the machine tool table there are three options:



Mounted to the Quick-Point® system (e.g. 4-fold Grid Plate 96)

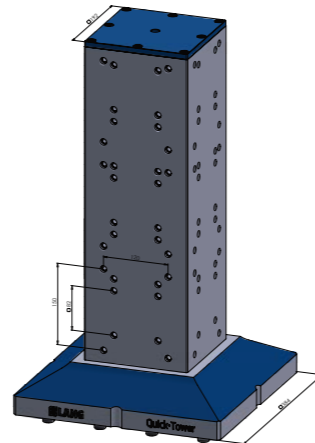
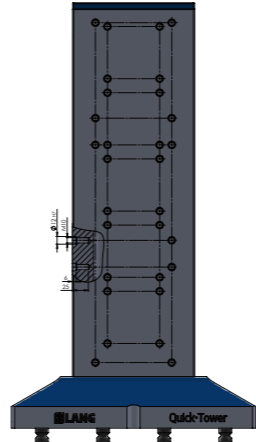
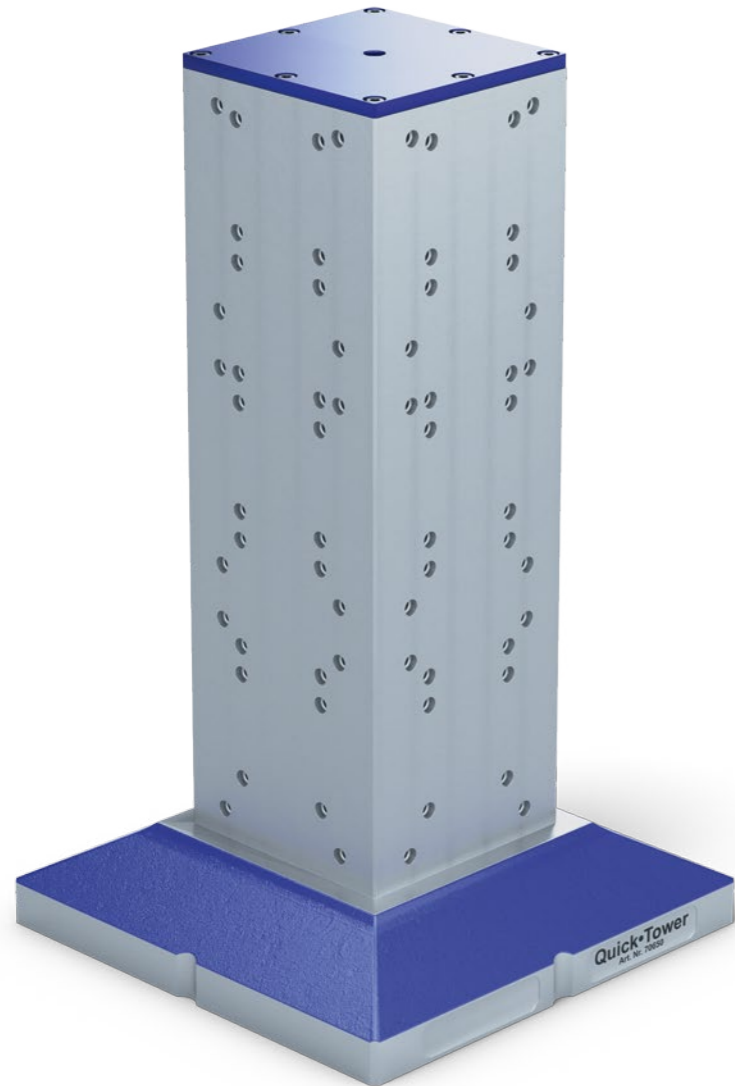


Mounted to the Quick-Tower Universal Base Plate (see page 53)



Mounted directly to the machine table with custom bores (price upon request!)

Quick-Tower Base Body



Grid of 150 × 120 mm is designed to mount Quick-Point® plates 75710.

Grid of 82 × 82 mm is designed to mount Quick-Point® plates 75600.

QUICK-TOWER BASE BODY

ITEM NO.	BODY DIMENSIONS	BASE DIMENSIONS	TOTAL HEIGHT	WEIGHT
70650	192 × 192 mm	384 × 384 mm	668 mm	160 kg
70850	192 × 192 mm	384 × 384 mm	860 mm	200 kg

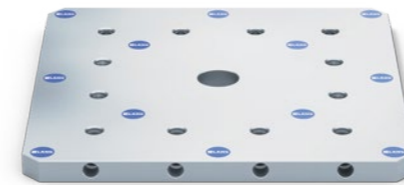
If you prefer to fix the tombstone directly onto the machine tool table/pallet with customized mounting bores just ask for an individual quotation.

Quick-Tower Universal Base Plate



QUICK-TOWER UNIVERSAL BASE PLATE, THROUGH BORE Ø 50H7, WITHOUT MOUNTING BORES

ITEM NO.	DIMENSIONS	MOUNTING BORES	WEIGHT
70005	396 × 396 × 27 mm	-	32.4 kg
70006	Set mounting bores according to customer's request		

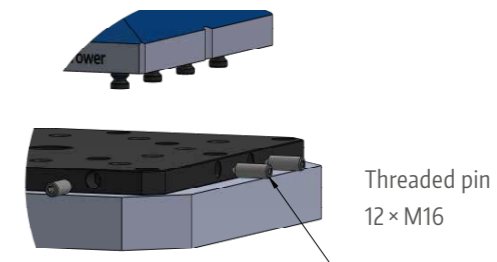
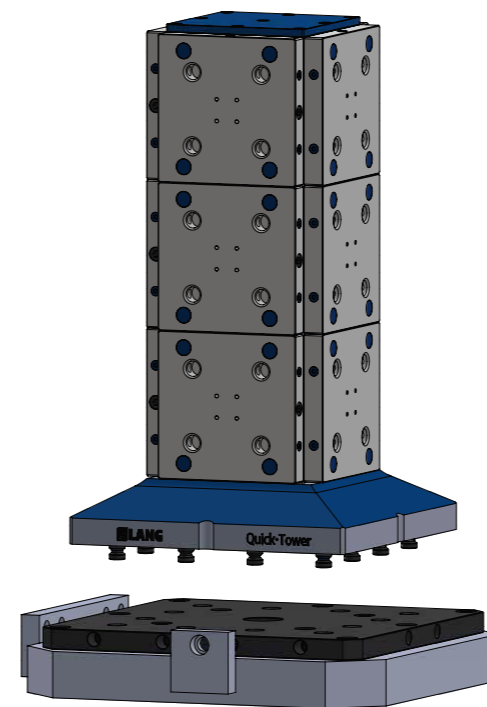


QUICK-TOWER UNIVERSAL BASE PLATE, THROUGH BORE Ø 50H7, WITH MOUNTING BORES

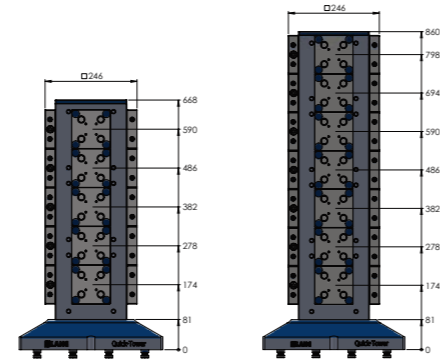
ITEM NO.	DIMENSIONS	MOUNTING BORES	WEIGHT
70008	446 × 446 × 27 mm	12 × M16 at 200 mm distance	39.5 kg

Utilization and mounting:

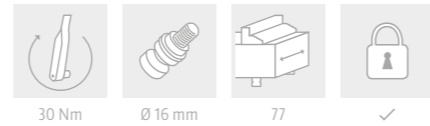
These base plates act as an interface between the machine table and the Quick-Tower. This allows the utilization of one standard Quick-Tower in different machine tools and/or on different pallets. The base plate can be aligned concentrically using the plate's Ø 50H7 through bore and the table's/pallet's center bore accordingly. The axial alignment can be done by probing the outer faces or adding keyways for T-slot keys. The base plate is mounted to the table/pallet with DIN EN ISO 4762 cylinder screws. The fixation of the Quick-Tower is done with 12 × M16 threaded pins that are located in the four lateral faces of the base plate. These pins locate the Quick-Tower with its clamping studs in the base plate.



Quick-Tower Grid Plates



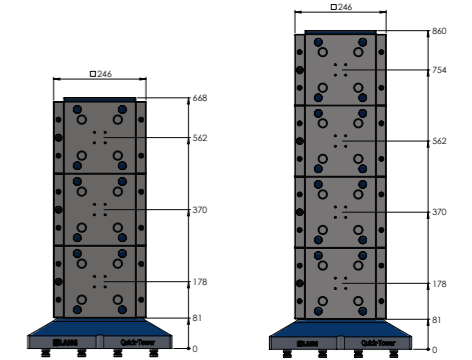
Tower 70650, height 668 mm, max. 5 pallets on each face.
Tower 70850, height 860 mm, max. 7 pallets on each face.



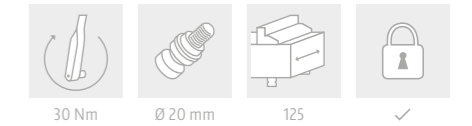
QUICK-TOWER 52, GRID PLATE 104 × 104 × 27 MM

ITEM NO.	DIMENSIONS	MOUNTING BORES	WEIGHT	QUANTITY
75600	104 × 104 × 27 mm	82 × 82 mm	1.8 kg	1 - 10
				11 - 25
				26 - 49
				from 50

Included: 4 screws M 10 × 35, 2 bushings Ø 12 × 12 mm (Item No. 45000-09).



Tower 70650, height 668 mm, max. 3 pallets on each face.
Tower 70850, height 860 mm, max. 4 pallets on each face.

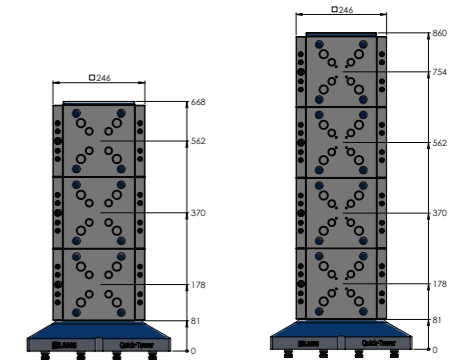


QUICK-TOWER 96, GRID PLATE 192 × 192 × 27 MM

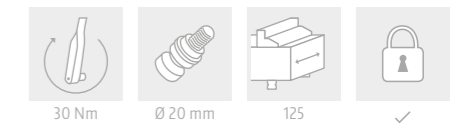
ITEM NO.	DIMENSIONS	MOUNTING BORES	WEIGHT	QUANTITY
75710	192 × 192 × 27 mm	150 × 120 mm	7.3 kg	1 - 6
				7 - 11
				12 - 29
				from 30

Included: 4 screws M 10 × 35, 2 bushings Ø 12 × 12 mm (Item No. 45000-09).

NEW



Tower 70650, height 668 mm, max. 3 pallets on each face.
Tower 70850, height 860 mm, max. 4 pallets on each face.



QUICK-TOWER 52 / 96, COMBO GRID PLATE 192 × 192 × 27 MM

ITEM NO.	DIMENSIONS	MOUNTING BORES	WEIGHT	QUANTITY
75748	192 × 192 × 27 mm	150 × 120 mm	7.2 kg	1 - 6
				7 - 11
				12 - 29
				from 30

Included: 4 screws M 10 × 35, 2 bushings Ø 12 × 12 mm (Item No. 45000-09).

Quick-Point® Clamping Studs

For individual adaptation of fixtures, workpieces or existing vises onto the Quick-Point® zero-point clamping system.

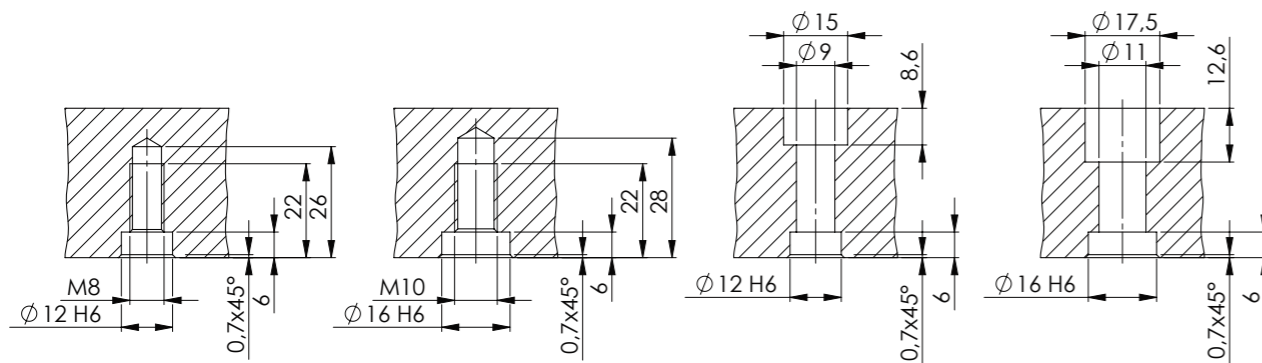


QUICK-POINT® CLAMPING STUDS FOR INDIVIDUAL ADAPTATION

ITEM NO.	DIAMETER	UNIT
45270	Ø 16 mm for 52 mm spacing, incl. M 8 × 1.25 threaded pin	1 pc.
45570	Ø 20 mm for 96 mm spacing, incl. M 10 × 1.5 threaded pin	1 pc.

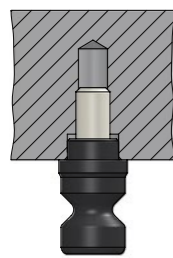
Up to 4 studs can be clamped in a single plate, up to 8 studs in a 2-fold plate and up to 16 studs in a 4-fold plate.

How it works:

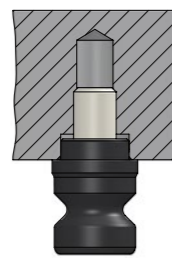


with threaded pins

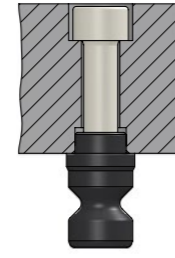
with screws



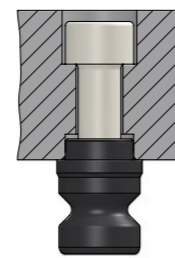
52



96

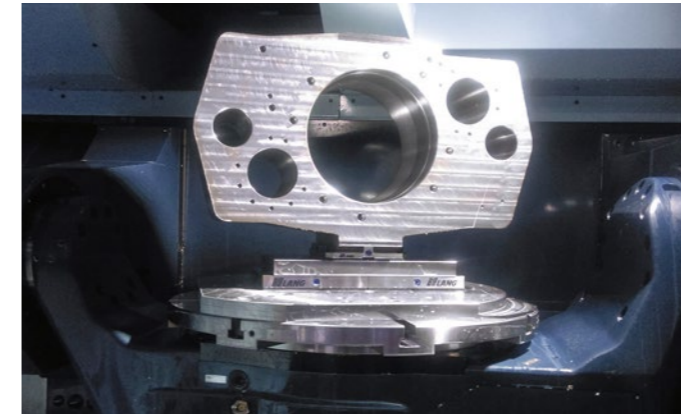


52



96

Applications:



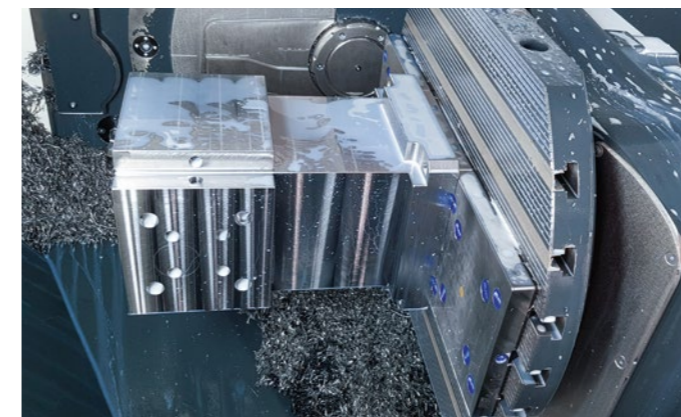
The studs are to be positioned in a 52 mm / 96 mm (± 0.01 mm) spacing for clamping workpieces straight onto the Quick-Point® plates.



The workpiece is clamped securely, without a vise, directly into the zero-point system.



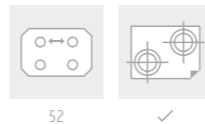
Aluminium part (weight: 1,315 kg, dimensions: 1,067 × 406 × 1,016 mm) clamped with 16 clamping over 4 single plates.



Not only highly precise but also extremely rigid! Workpiece with 200 kg weight, 500 mm height. Clamped with just 4 studs in a single Quick-Point® plate.

Quick-Point® Support Plates

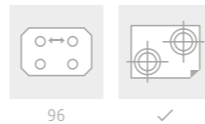
Support plates made of non-hardened steel – for individual adaptation of fixtures and other devices.



QUICK-POINT® 52, SUPPORT PLATES

ITEM NO.	DIMENSIONS	WEIGHT
45275	96 × 96 × 27 mm	2.0 kg
45277	156 × 156 × 27 mm	5.2 kg

Included: 4 × Quick-Point® clamping studs Ø 16 mm.



QUICK-POINT® 96, SUPPORT PLATES

ITEM NO.	DIMENSIONS	WEIGHT
45575	156 × 156 × 27 mm	5.3 kg
45577	192 × 192 × 27 mm	8.3 kg

Included: 4 × Quick-Point® clamping studs Ø 20 mm.

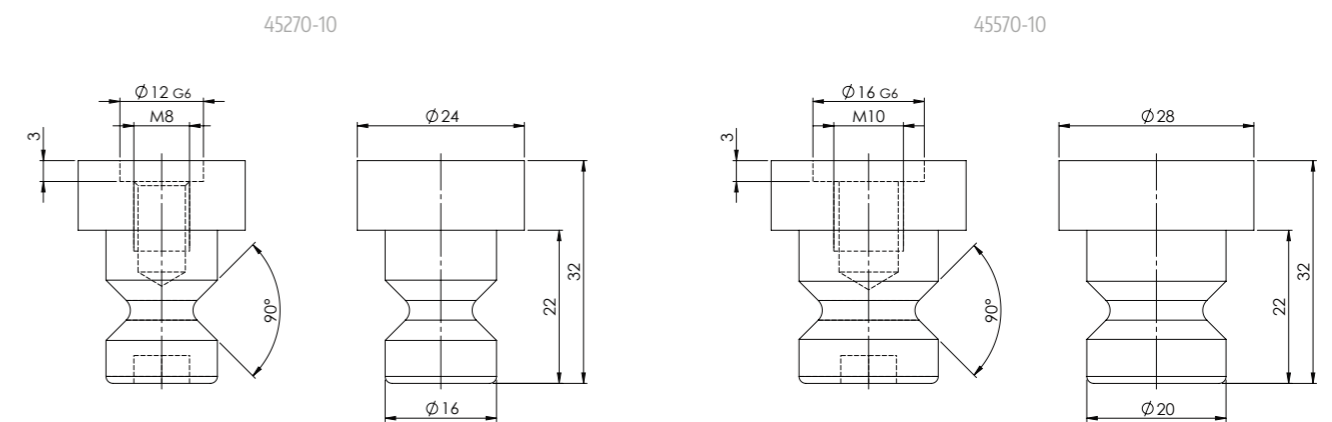
Quick-Point® Spacer Studs

Spacer studs allow for through holes in material which is clamped directly in the zero-point system. It also improves accessibility when machining edges and angles.

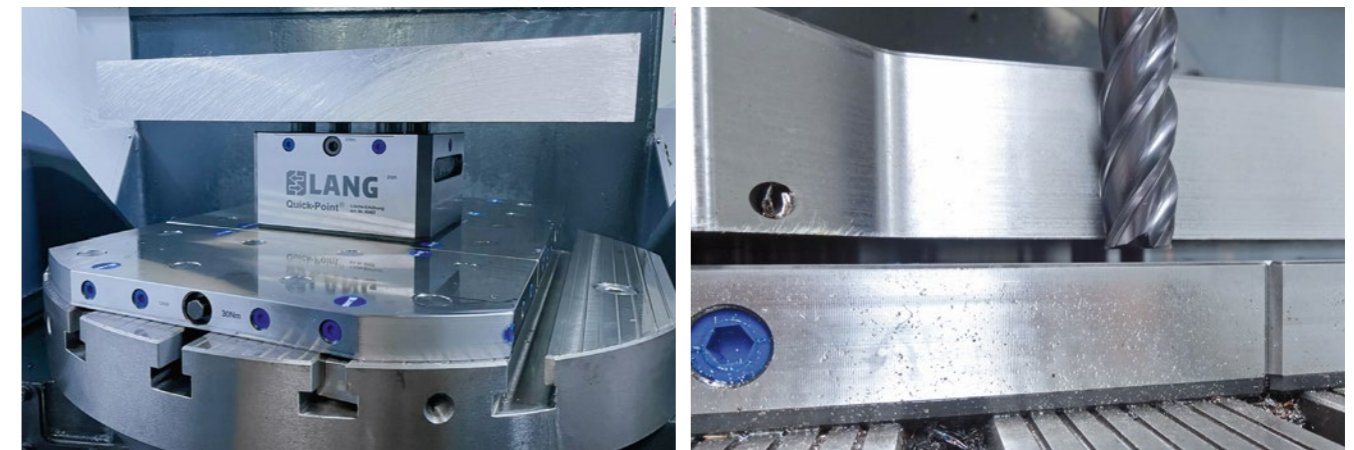


QUICK-POINT® SPACER STUDS

ITEM NO.	DIAMETER	SPACER HEIGHT	UNIT
45270-10	Ø 16 mm for 52 mm spacing	10 mm (Ø 24 mm)	1 Set (4 pcs.)
45570-10	Ø 20 mm for 96 mm spacing	10 mm (Ø 28 mm)	1 Set (4 pcs.)



Applications



Quick-Point® Quick-Lock Fastener

The Quick-Lock quick release fastener is compatible with all rectangular and squared Quick-Point® plates, as well as with round 2-fold Quick-Point® 96 plates.



QUICK-POINT® QUICK-LOCK 52

ITEM NO.	SUITABLE QUICK-POINT® ITEMS	FOR ITEM NO.	WEIGHT
44552	Quick-Point® 52 Single-Plates, Twin Base 52, Adaptor Plate, 5-Axis Riser 52	45600 / 75600 / 45150 / 45151 / 47220 / 45160 / 45156 / 45157	0.5 kg
45252	Quick-Point® 52, 2-fold Grid Plate	45621	1.3 kg
45452	Quick-Point® 52, 4-fold Grid Plate	45640 / 45641	1.5 kg

Included in delivery: 1x clamping lever and 4x washers (to adjust clamping force if necessary).

QUICK-POINT® QUICK-LOCK 96

ITEM NO.	SUITABLE QUICK-POINT® ITEMS	FOR ITEM NO.	WEIGHT
44596	Quick-Point® 96 Single-Plates, Twin Base 96, 5-Axis Riser 96	45710 / 45763 / 45715 / 45716 / 45400 / 45401 / 47520 / 45406 / 45407 / 75710	0.6 kg
45296	Quick-Point® 96, 2-fold Grid Plate	45720	1.1 kg
45996	Quick-Point® 96, 2-fold Grid Plates, round	45962 / 45963 / 45964	1.6 kg
45496	Quick-Point® 96, 4-fold Grid Plates	45740 / 45741 / 45742	1.6 kg

Included in delivery: 1x clamping lever and 4x washers (to adjust clamping force if necessary).

Easy assembly in a few steps

Within just a few seconds the Quick-Lock fastener is mounted to a Quick-Point® Plate. With a 180° motion of the lever the Quick-Lock clamps and releases the vise.



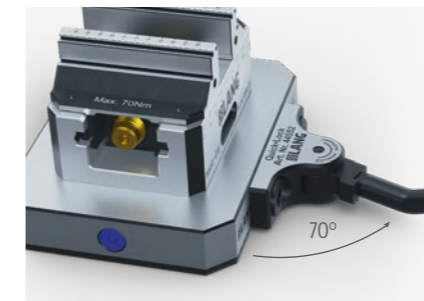
Removal of the Quick-Point® actuation screw:

Remove actuation screw and the two plastic covers and keep them safe. With multi fold plates you also have to remove the actuation bolt. During the whole installation process the Quick-Point® plate does not have to be removed from the machine table if already mounted.



Installation of the Quick-Lock fastener:

Insert the Quick-Lock pressure bolt into the actuation screw channel and tighten the two screws.

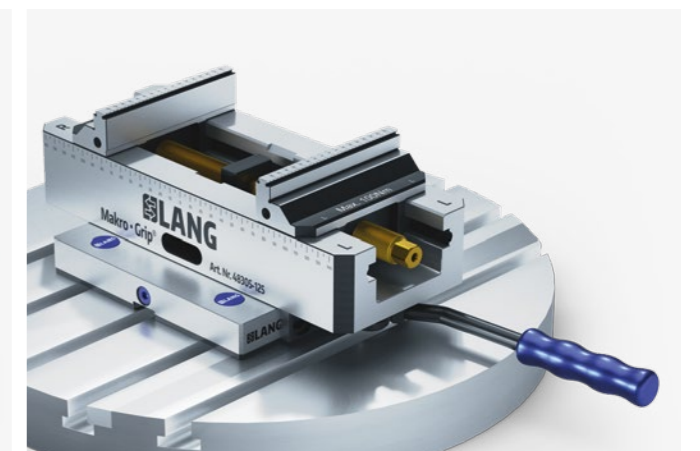
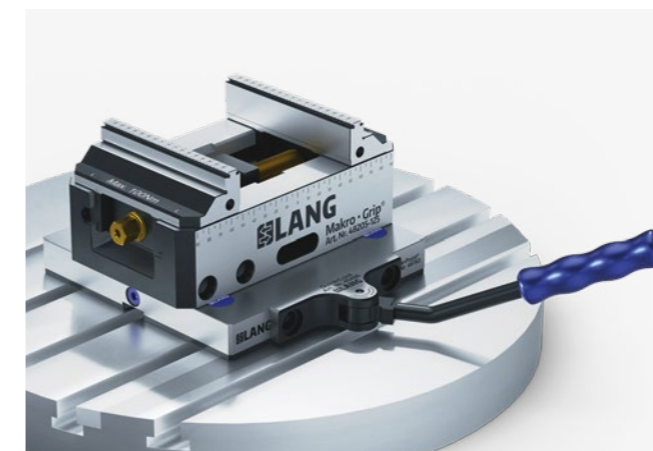


Checking the clamping force:

Insert the clamping lever into the clamping element of the Quick-Lock fastener. Move the clamping lever in a 180° motion from right to left until you feel resistance. If the remaining angle is more/less than 70°, the clamping force needs to be adjusted by adding/removing washers.

Quick-Lock utilization

The clamping lever equipped with a rotation lock can be used both horizontally and vertically. For vises and fixtures protruding from the Quick-Point® plate, the lever is used horizontally (right picture).



Quick-Point® Accessories



QUICK-POINT® COVER DISCS, PLASTIC

ITEM NO.	DIAMETER	UNIT
45008-15	Ø 15 mm	1 set (20 pcs.)
45008-20	Ø 20 mm	1 set (20 pcs.)
45008-27	Ø 27 mm	1 set (20 pcs.)

Heat-resistant, fibreglass reinforced cover discs for protecting the mounting screws against pollution.



QUICK-POINT® COVER PLUGS, PLASTIC

ITEM NO.	DIAMETER	UNIT
45052-20	Ø 16 mm for 52 mm spacing	1 set (4 pcs.)
45096-20	Ø 20 mm for 96 mm spacing	1 set (4 pcs.)

Cover plugs made of plastic for the protection of the clamping stud holes when not in use. For multi fold plates steel plugs (see below) are necessary.



QUICK-POINT® COVER PLUGS, STEEL

ITEM NO.	DIAMETER	UNIT
45052-30	Ø 16 mm for 52 mm spacing	1 set (4 pcs.)
45096-30	Ø 20 mm for 96 mm spacing	1 set (4 pcs.)

Cover plugs made of steel spread the increased clamping force of multi grid plates evenly and protect clamping holes not in use. They can be removed from plates with the Cover Plug Remover.



QUICK-POINT® COVER PLUG REMOVER

ITEM NO.	DESCRIPTION
45000-30	Cover Plug Remover

Convenient grip with magnet for removing steel plugs from the Quick-Point® plates and / or threaded caps of the Makro-Grip® Ultra system.



QUICK-POINT® HANDLE, ALUMINIUM

ITEM NO.	FOR
66605	Quick-Point® 52
46081	Quick-Point® 96

This handle facilitates the handling of Quick-Point® devices when setting up and dismantling. As with usual LANG clamping devices, the handle is clamped with two Quick-Point® clamping studs in the zero-point system and is thereby especially suited for the transportation of heavier Quick-Point® products.

Quick-Point® Alignment Accessories

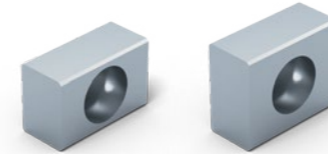


SLOT KEYS, LOOSE, DIN 6323, FOR AXIAL ALIGNMENT OF QUICK-POINT® PLATES

ITEM NO.	SIZE	UNIT
452014	20 to 14 mm	1 pc.
452018	20 to 18 mm	1 pc.

To make the assembly and alignment of the Quick-Point® plates as easy as possible, we offer slot keys for the plates' 20H7 keyways matching your table's t-slots (14 or 18 mm).

Attention: Keys not suitable for Item No. 45800 and 45890!



SLOT KEYS FOR AXIAL ALIGNMENT OF QUICK-POINT® ROUND PLATE, ITEM NO. 45890 (PAGE 27)

ITEM NO.	DIMENSIONS	UNIT
452214	14 × 22 mm	1 pc.
452218	18 × 22 mm	1 pc.

For the alignment of Quick-Point® plate, Item No. 45890, which has 14 & 18 H7 grooves in the bottom, we offer these keys. Grooves and keys are equipped with a M6 thread, suitable for screws DIN 84 or DIN 912, M6 × 16.

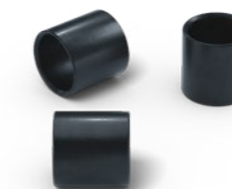


CENTERING STUDS FOR CONCENTRIC ALIGNMENT OF QUICK-POINT® PLATES

ITEM NO.	SIZE	UNIT
451230	12 to 30 mm	1 pc.
451232	12 to 32 mm	1 pc.
451250	12 to 50 mm	1 pc.
452530	25 to 30 mm	1 pc.
452532	25 to 32 mm	1 pc.
452550	25 to 50 mm	1 pc.
455030	50 to 30 mm	1 pc.
455032	50 to 32 mm	1 pc.
455050	50 to 50 mm	1 pc.

For the concentric alignment of Quick-Point® plates via fitting bores in the bottom (12, 25, 50 mm) we offer centering studs for the most common machine table holes (30, 32, 50 mm).

BUSHINGS FOR THE ALIGNMENT OF VISES AND ZERO-POINT PLATES



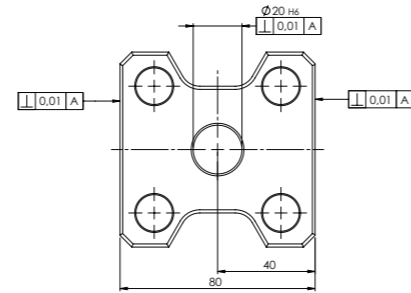
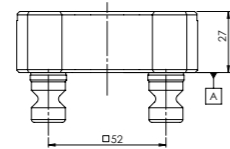
ITEM NO.	DIMENSIONS	FOR SCREW SIZE	UNIT
45000-09	Ø 12 × 12 mm	M 10	1 pc.
65191-04	Ø 12 × 12 mm	M 8	1 pc.
65191-05	Ø 16 × 15 mm	M 10	1 pc.

Item No. 45000-09 is suitable for aligning Quick-Point® plates on aluminum risers, Quick-Tower tombstones and other applications. Bushings 65191-04 and 65191-05 are used for the alignment and mounting of Makro-Grip® 5-Axis Vises on (old) LANG automation support pallets Item No. 65190 and 65197.

Quick-Point® Gauging Pallet

Jig-ground gauging pallet for a quick and precise alignment of Quick-Point® plates. Recommended especially for rotary tables or chucks.

NEW VERSION



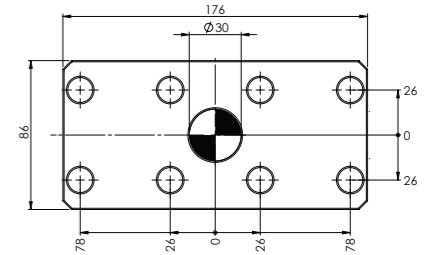
QUICK-POINT® 52 GAUGING PALLET

ITEM NO.	DIMENSIONS	MEASURING LENGTH	WEIGHT
44522	80 × 80 × 27 mm	70 mm per side	1.2 kg

Quick-Point® Alignment Gauge

For easy and quick assembly of the Quick-Point® Grid Plates we recommend using the alignment gauge. The precise alignment and dimensional accuracy of the plates is guaranteed.

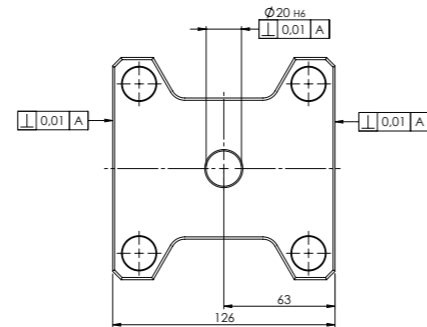
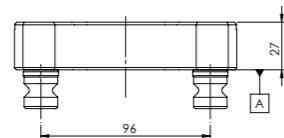
NEW VERSION



QUICK-POINT® 52 ALIGNMENT GAUGE FOR GRID PLATES

ITEM NO.	DESCRIPTION	WEIGHT
44521	Alignment gauge 52	2.8 kg
44521-10	Alignment gauge 52 for rent	-

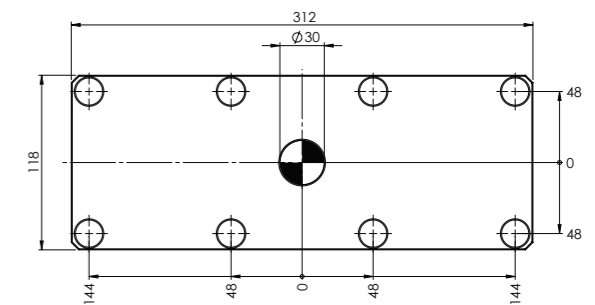
NEW VERSION



QUICK-POINT® 96 GAUGING PALLET

ITEM NO.	DIMENSIONS	MEASURING LENGTH	WEIGHT
44962	126 × 126 × 27 mm	116 mm per side	2.8 kg

NEW VERSION



QUICK-POINT® 96 ALIGNMENT GAUGE FOR GRID PLATES

ITEM NO.	DESCRIPTION	WEIGHT
44961	Alignment gauge 96	6.8 kg
44961-10	Alignment gauge 96 for rent	-

How it works:

After clamping the gauging pallet in a Quick-Point® plate, alignment is done by probing the jig-ground sides of the gauging pallet. For concentric alignment the inner diameter of the gauging pallet can be used.



How it works:

The Quick-Point® Alignment Gauge guarantees an accurate alignment of two or more Grid Plates positioned next to each other. This ensures that vises and fixtures can be clamped across two different plates. After the first plate is placed on the table, aligned with a probe and the screws fixed, the alignment gauge is applied on the neighboring plates and the outer accessible fixing screws can be tightened.



Quick-Point® Service

Set mounting bores

All of our Quick-Point® plates with prefabricated mounting bores are also available without such. The case-hardened zero-point plates (57 HRC, 0.7 mm deep) can be drilled according to the t-slots of the machine table. We offer this as a service.

The drawings of the Quick-Point® plates without mounting

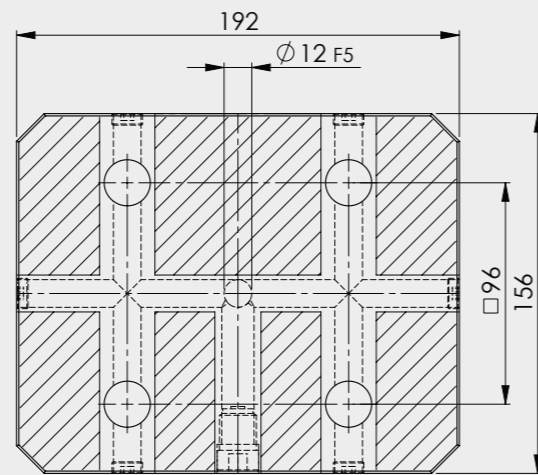
bores in this brochure show hatched areas. These areas can be used for mounting bores. On rare occasions mounting bores can even be set through rod channels. If this might be required for your application please ask your local LANG contact person. All drawings are available on our website www.lang-technik.de



Quick-Point® plate with prefabricated mounting bores.



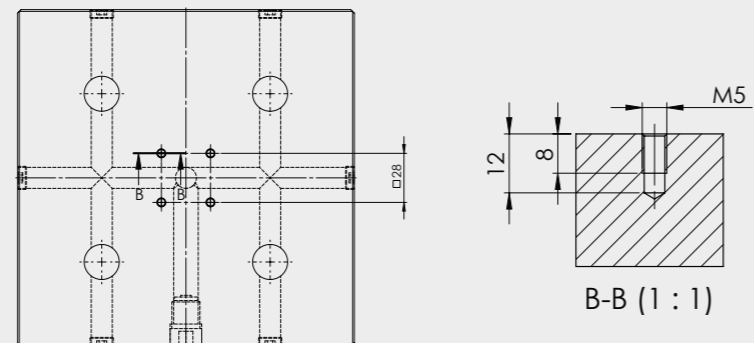
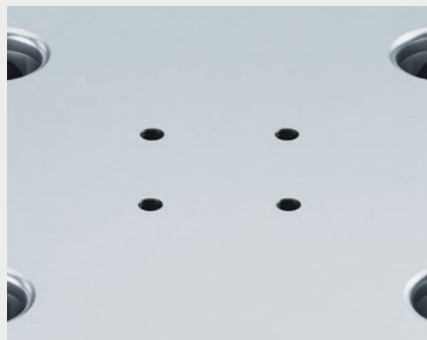
Same Quick-Point® plate without mounting bores. These can be installed by LANG or the customer.



M5 Index bores

Inserting a threaded pin or screw ensures that LANG clamping devices (with an equivalent recess on the bottom) are always positioned in the same way on the zero-point plate.

By default index bores are included in following plates: Item No. 45150, 45400, 75600, 75710, 47220 and 47520.

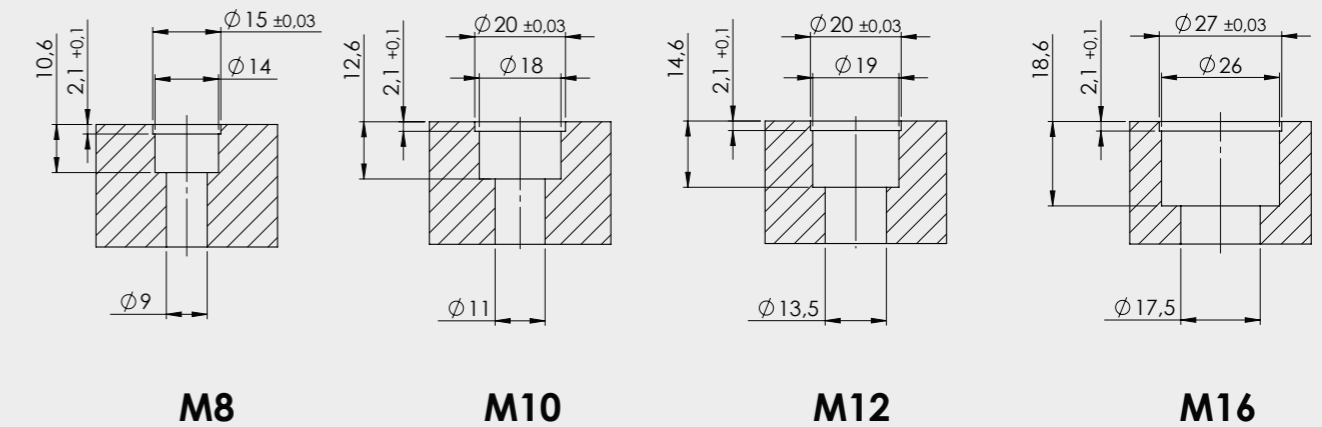


Covering mounting bores



Quick-Point® plate with plastic cover discs.

Mounting bores in Quick-Point® plates, either prefabricated or customized by LANG, have a 2.1 mm step. Plastic discs can be inserted and act as covers to prevent swarf or chips from clogging these bores. Plastic discs are available in three different diameters Ø 15 mm, Ø 20 mm and Ø 27 mm (see page 62).



Custom corner radius for Quick-Point® grid / multi-fold plates

Upon request, we can adjust the zero-point system (multi-fold or individual grid plates in a row) to round tables of the machine tool

by cutting off the corners. A neat solution that in most cases prevents the zero-point plates from overhanging the table.



CUSTOM CORNER RADIUS FOR QUICK-POINT® GRID / MULTI-FOLD PLATES

ITEM NO.	QUANTITY
45043-01	Cut off 1 corner
45043-02	Cut off 2 corners
45043-04	Cut off 4 corners

Terms & Conditions

Offer validity

Our offers are valid for 45 days and may be revoked by us at any time thereafter.

Prices

Prices are ex works, excluding packaging, transport, customs and plus the statutory value added tax. This shall also apply in the case of agreed partial deliveries and express deliveries.

Minimum order value

The minimum order value is € 30.00 net. In the case of a lower order value, the minimum amount of 30.00 € plus statutory value added tax will be charged.

Reservation of ownership

The delivered goods remain our property until full payment of the purchase price and can be reclaimed at any time, in which case the costs for this will be invoiced.

Incorrect order / return

Returns are possible up to a maximum of four weeks after receipt of the goods. The returned goods must not show any signs of use. If goods are returned with visual damage, restocking costs amounting to 20% of the value of the goods will be charged.

You can find the complete Terms & Conditions on our website www.lang-technik.de.

Imprint

Title:

LANG Zero-Point Clamping – Autumn 2022
Date of Printing 8/2022

Editor:

LANG Technik GmbH
Albstraße 1 – 6
D-73271 Holzmaden
Phone: +49 7023 9585-0
Fax: +49 7023 9585-100
www.lang-technik.de
info@lang-technik.de

Legal provisions:

Copyright © 2022
LANG Technik GmbH
All rights reserved. Reprint, recording in online-services, internet and duplication on data carrier as CD ROM, DVD, etc. or in extracts are prohibited. Misprints, errors and changes are subject to modifications. All indications of weight are approximate values. Illustrations can vary from articles.

Symbols

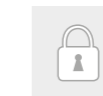
To simplify specifications we use these symbols to highlight technical information and the compatibility of the products:



Grid system:
Zero-point pitch



Clamping stud size:
Diameter of the clamping studs



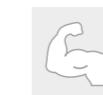
Quick-Lock:
Fastener can be attached



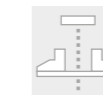
Vise size:
Width of vise



Torque:
Maximum allowed torque



Clamping force:
Clamping force at maximum torque



Centering accuracy:
Centering tolerance of vises



Mounting bores:
Individual mounting bores and keyways are possible



Automatable:
Automation interface included



→ facebook.com/langtechnik
→ instagram.com/langtechnik

→ twitter.com/langtechnik
→ youtube.com/langtechnik

→ linkedin.com/company/lang-technik
→ www.lang-technik.de