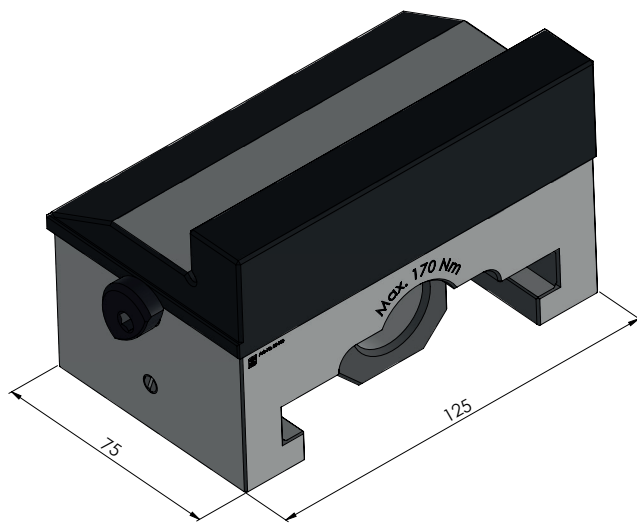
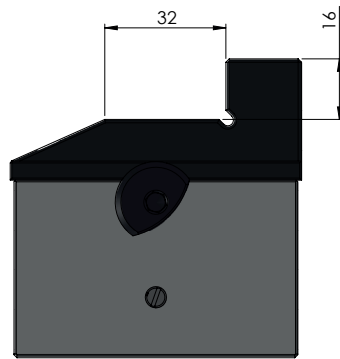


ITEM NO.	81440
DESCRIPTION	Makro-Grip® Ultra 125, Base Jaw, Avanti
ISSUE DATE	04.05.2021

Page 1/3



ITEM NO.	81440
DESCRIPTION	Makro-Grip® Ultra 125, Base Jaw, Avanti
ISSUE DATE	04.05.2021



ITEM NO.	81440
DESCRIPTION	Makro-Grip® Ultra 125, Base Jaw, Avanti
ISSUE DATE	04.05.2021

Page 3 / 3