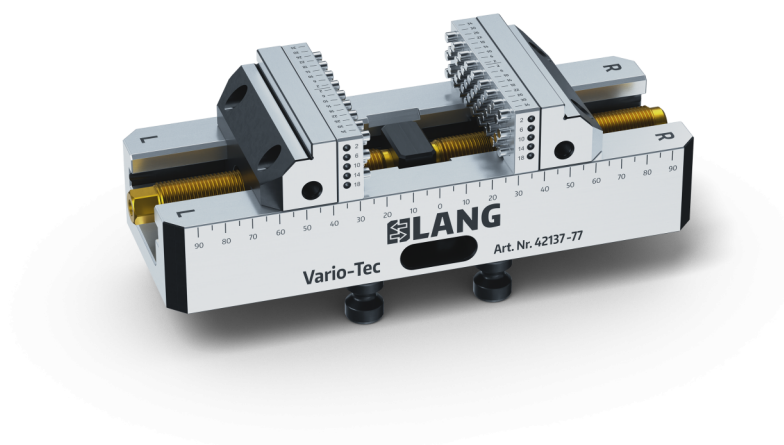


Vario-Tec 77, Centering Vise

jaw width 77 mm, max. clamping range 137 mm

Item No. 42137-77

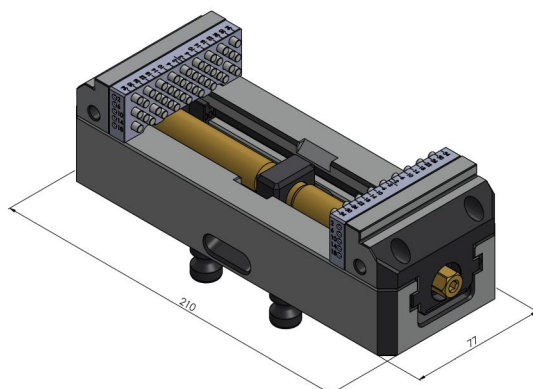
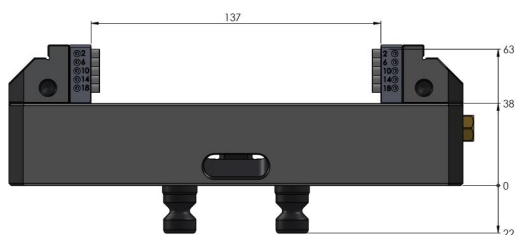


Clamping range	0 - 137 mm (0" - 5.39")
Dimensions	210 x 77 x 65 mm (8.27" x 3.03" x 2.56")
Clamping method	by friction
Workpiece shape	prismatic
Packaging Unit	1 Piece
Weight	4.6 kg (10.14 lbs)
Material	Steel

Vario-Tec 77, Centering Vise

jaw width 77 mm, max. clamping range 137 mm

Item No. 42137-77



Vario-Tec 77, Centering Vise

jaw width 77 mm, max. clamping range 137 mm

Item No. 42137-77

