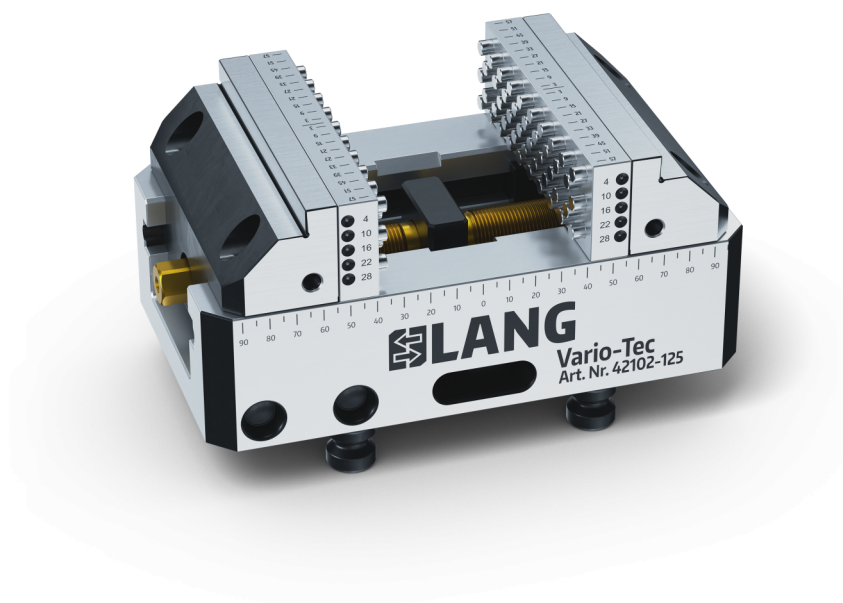


Vario-Tec 125, Centering Vice

jaw width 125 mm, max. clamping range 100 mm

Item No. 42102-125

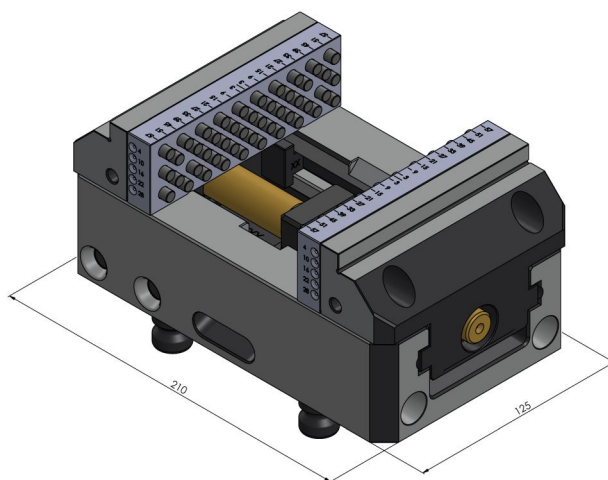
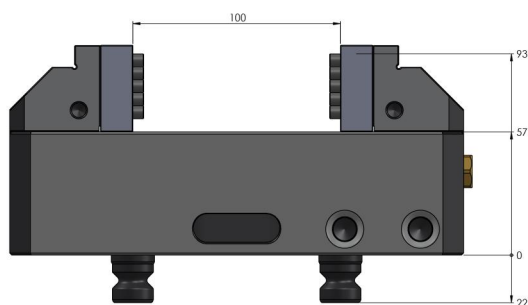


Clamping range	0 - 100 mm (0" - 3.94")
Dimensions	210 x 125 x 97 mm (8.27" x 4.92" x 3.82")
Clamping method	by friction
Workpiece shape	prismatic
Packaging Unit	1 Piece
Weight	12.1 kg (26.68 lbs)
Material	Steel

Vario-Tec 125, Centering Vice

jaw width 125 mm, max. clamping range 100 mm

Item No. 42102-125



Vario•Tec 125, Centering Vise

jaw width 125 mm, max. clamping range 100 mm

Item No. 42102-125

