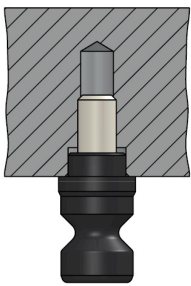
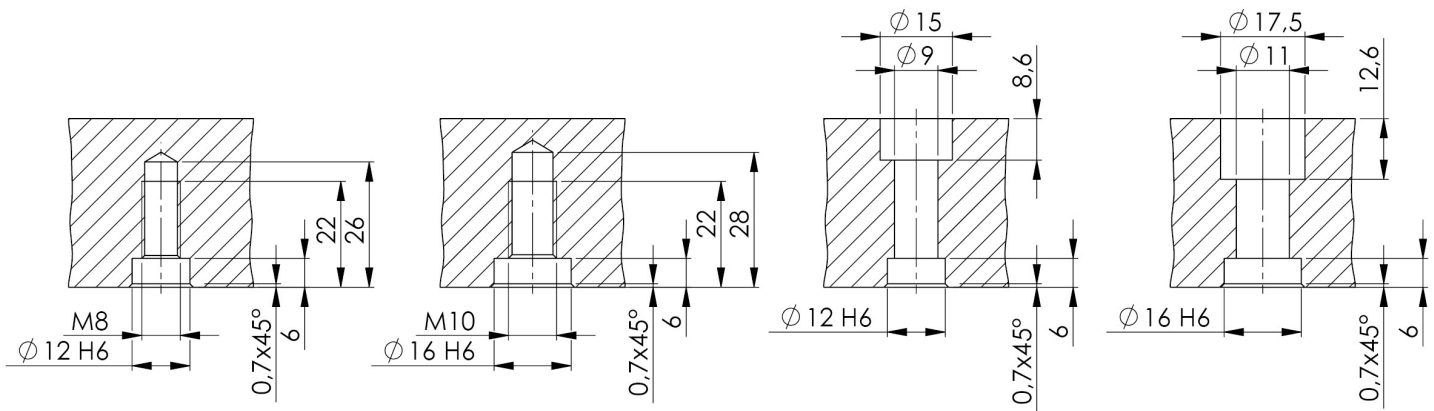
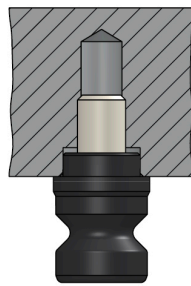


ITEM NO.	45270
DESCRIPTION	Quick•Point® 52, Clamping Studs, $\varnothing 16$ mm, for 52 mm bolt distance
ISSUE DATE	04.05.2021

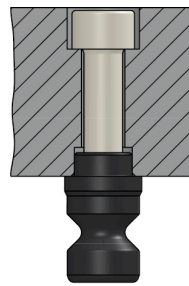
Page 1/3



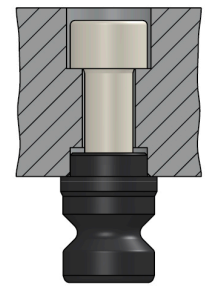
52



96



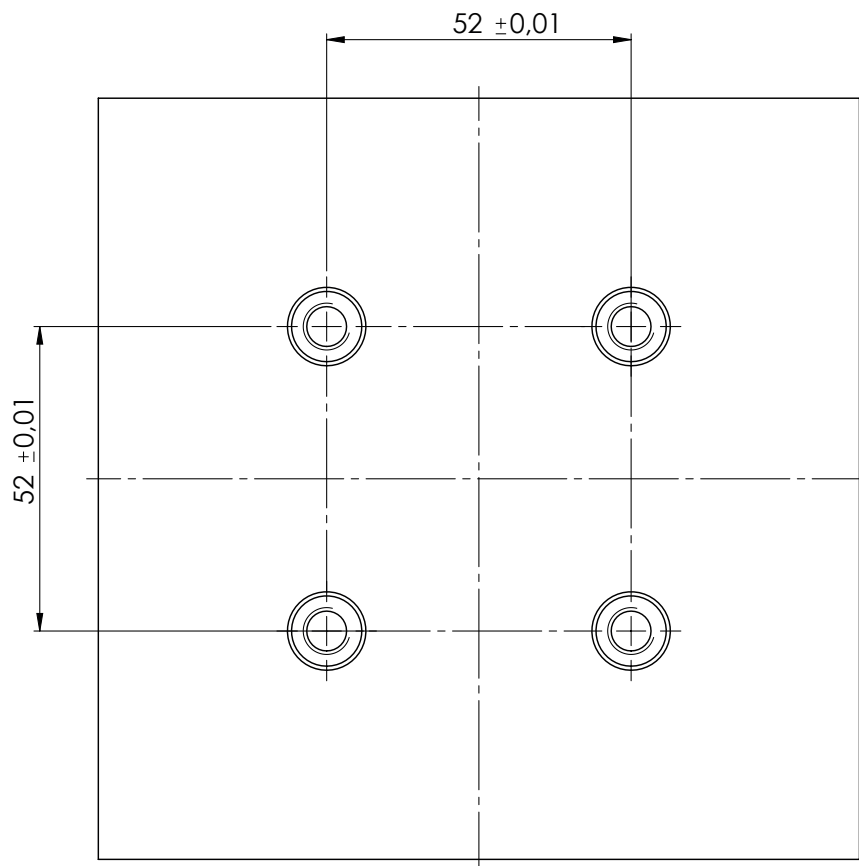
52



96

Mit Gewindestift /
with threaded pin

Mit Schraube /
with screw



Clamping studs must be positioned in own clamping devices and fixtures with a dimensional accuracy of 52 mm ± 0.01 mm.