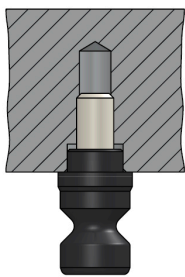
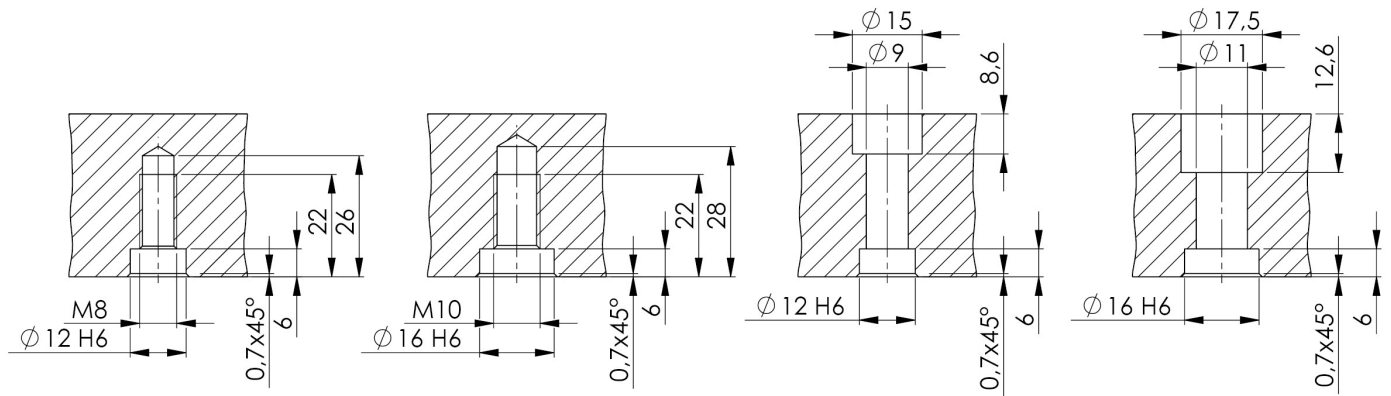
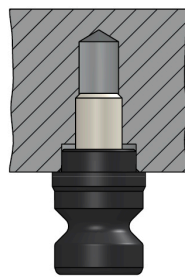


| | |
|-------------|---|
| ITEM NO. | 45570 |
| DESCRIPTION | Quick-Point® 96, Clamping Studs, Ø 20 mm, for 96 mm bolt distance |
| ISSUE DATE | 04.05.2021 |

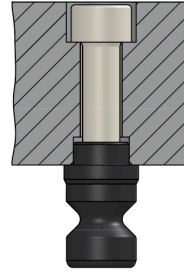
Page 1/3



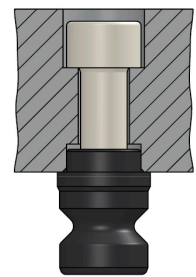
52



96



52

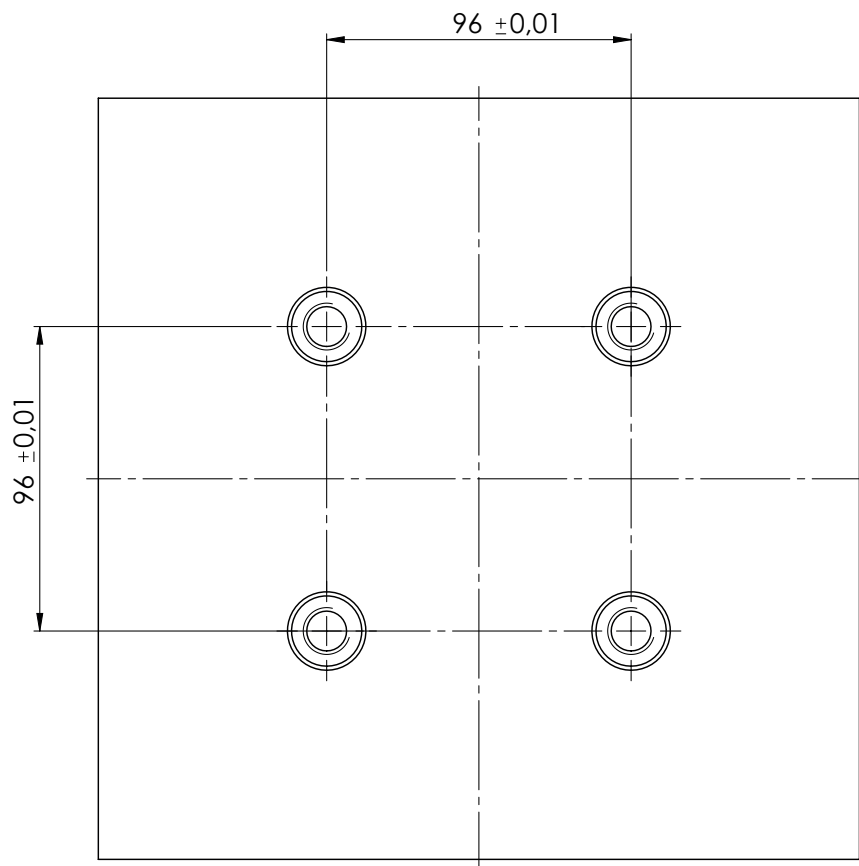


96

Mit Gewindestift /
with threaded pin

Mit Schraube /
with screw

| | |
|-------------|---|
| ITEM NO. | 45570 |
| DESCRIPTION | Quick•Point® 96, Clamping Studs, Ø 20 mm, for 96 mm bolt distance |
| ISSUE DATE | 04.05.2021 |



Clamping studs must be positioned in own clamping devices and fixtures with a dimensional accuracy of $96 \text{ mm} \pm 0.01 \text{ mm}$.

| | |
|-------------|---|
| ITEM NO. | 45570 |
| DESCRIPTION | Quick·Point® 96, Clamping Studs, Ø 20 mm, for 96 mm bolt distance |
| ISSUE DATE | 04.05.2021 |

Page 3 / 3