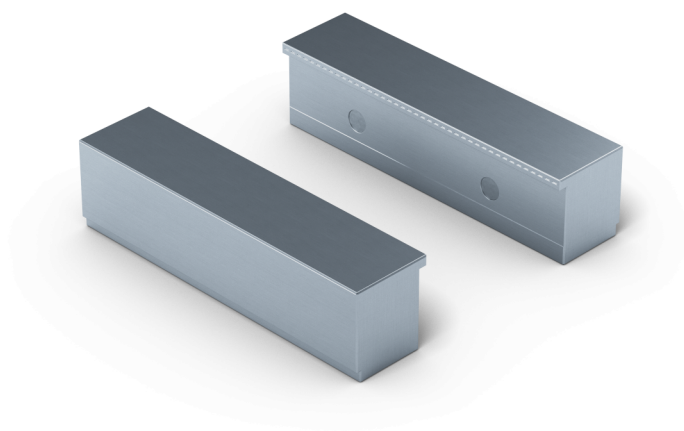


Makro-Grip® 125, Contour Jaws

jaw width 125 mm, for the inner side

Item No. 48409-125

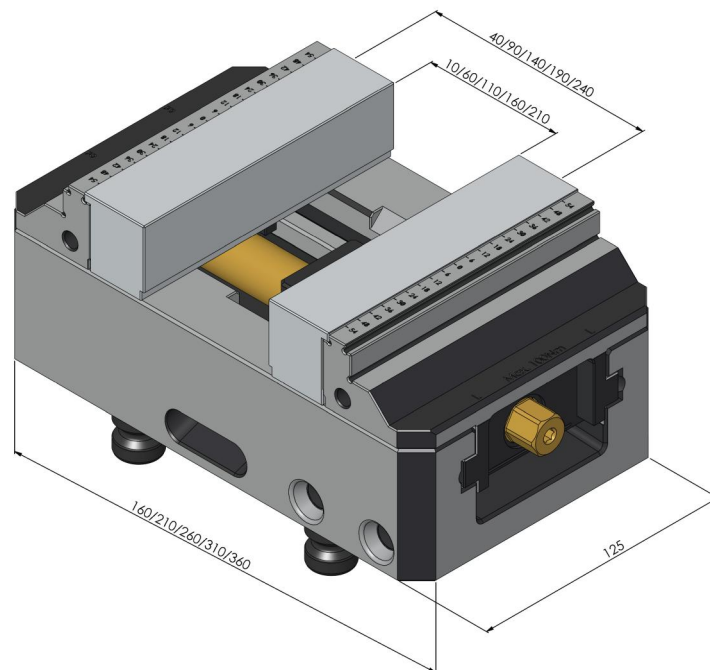
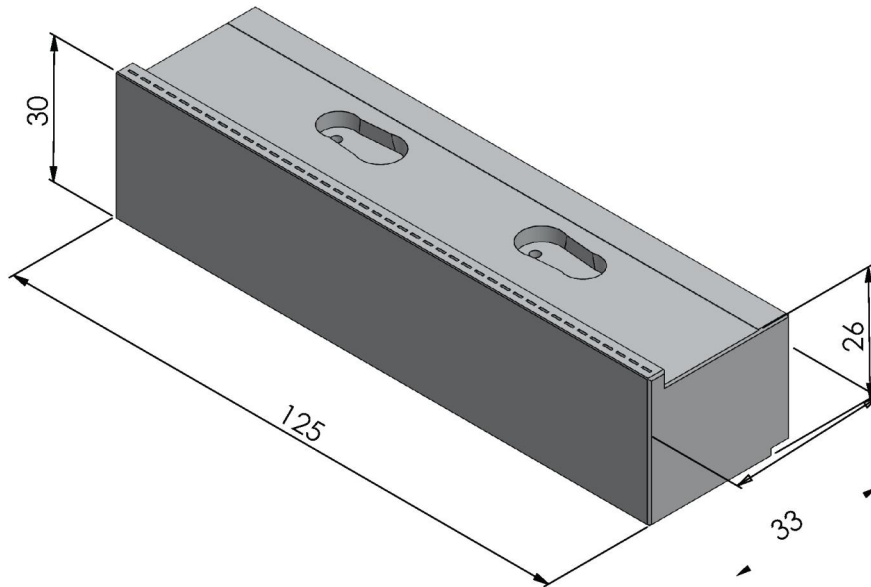


Dimensions	Jaw width: 125 mm (4.92") - Jaw length: 33 mm (1.3") - Jaw height: 26 mm (1.02")
Workpiece shape	prismatic / cylindrical / asymmetrical
Packaging Unit	1 Pair
Weight	0.63 kg (1.39 lbs)
Material	Aluminium

Makro-Grip® 125, Contour Jaws

jaw width 125 mm, for the inner side

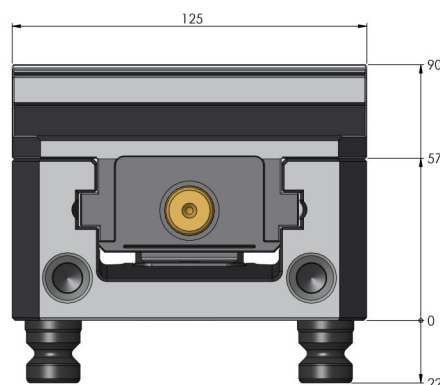
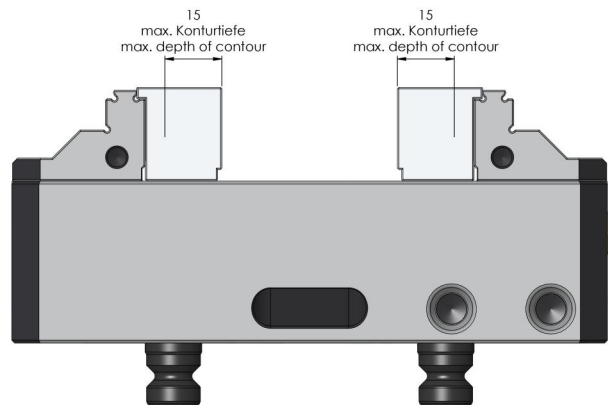
Item No. 48409-125



Makro-Grip® 125, Contour Jaws

jaw width 125 mm, for the inner side

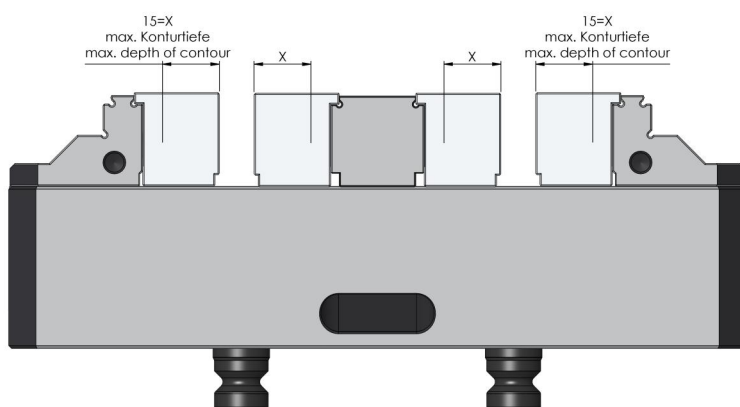
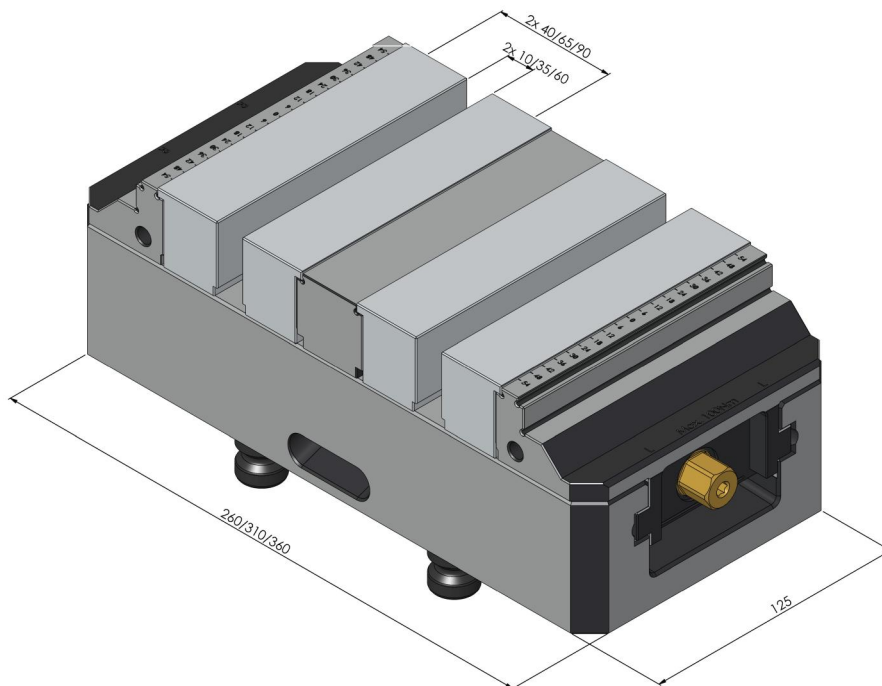
Item No. 48409-125



Makro-Grip® 125, Contour Jaws

jaw width 125 mm, for the inner side

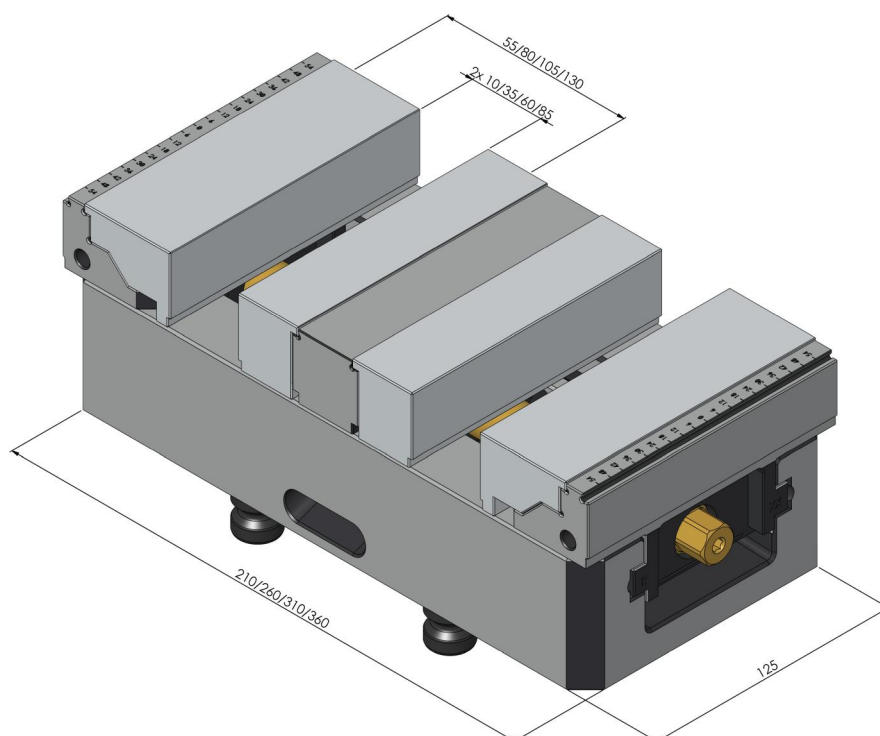
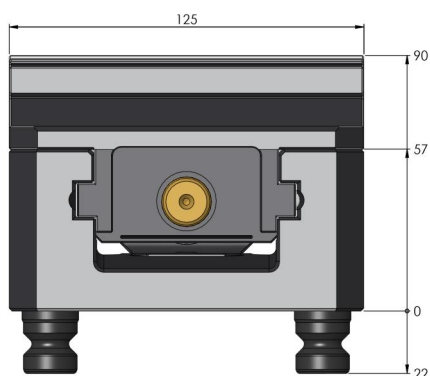
Item No. 48409-125



Makro-Grip® 125, Contour Jaws

jaw width 125 mm, for the inner side

Item No. 48409-125



Makro-Grip® 125, Contour Jaws

jaw width 125 mm, for the inner side

Item No. 48409-125

