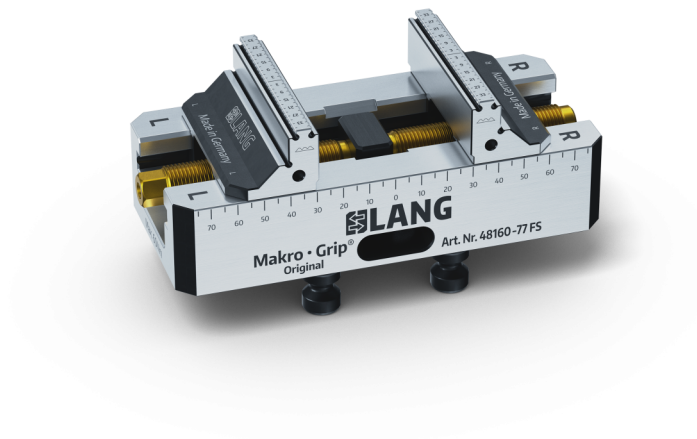


## Makro-Grip® FS 77, 5-Axis Vise

Jaw width 77 mm, Clamping range 0 - 160 mm, with continuous / full serration

Item No. 48160-77 FS

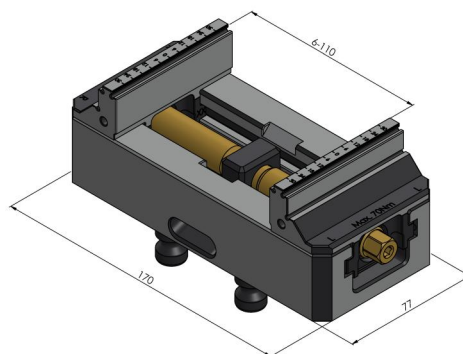
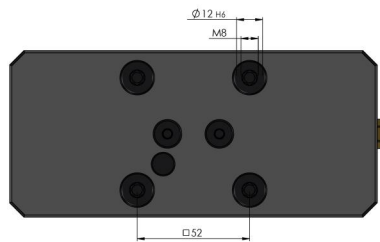


<b>Clamping range</b>	0 - 160 mm (0" - 6.3")
<b>Dimensions</b>	170 x 77 x 65 mm (6.69" x 3.03" x 2.56")
<b>Clamping method</b>	by form-fit / by friction
<b>Workpiece shape</b>	prismatic
<b>Packaging Unit</b>	1 Piece
<b>Weight</b>	3.6 kg (7.94 lbs)
<b>Material</b>	Steel

## Makro-Grip® FS 77, 5-Axis Vise

Jaw width 77 mm, Clamping range 0 - 160 mm, with continuous / full serration

Item No. 48160-77 FS



## Makro-Grip® FS 77, 5-Axis Vise

Jaw width 77 mm, Clamping range 0 - 160 mm, with continuous / full serration

Item No. 48160-77 FS

