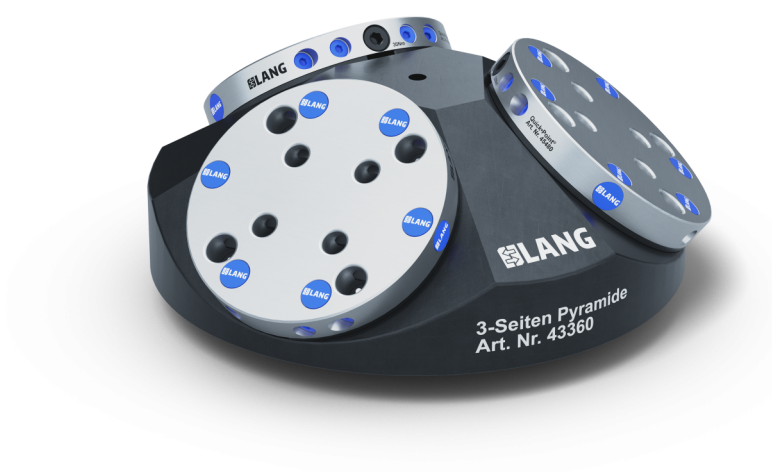


## Quick-Point® 52/96, 3-face Pyramid

Ø 394 x 150 mm, incl. 3x Quick-Point® 52/96 combi round plate 45480

Item No. 43360

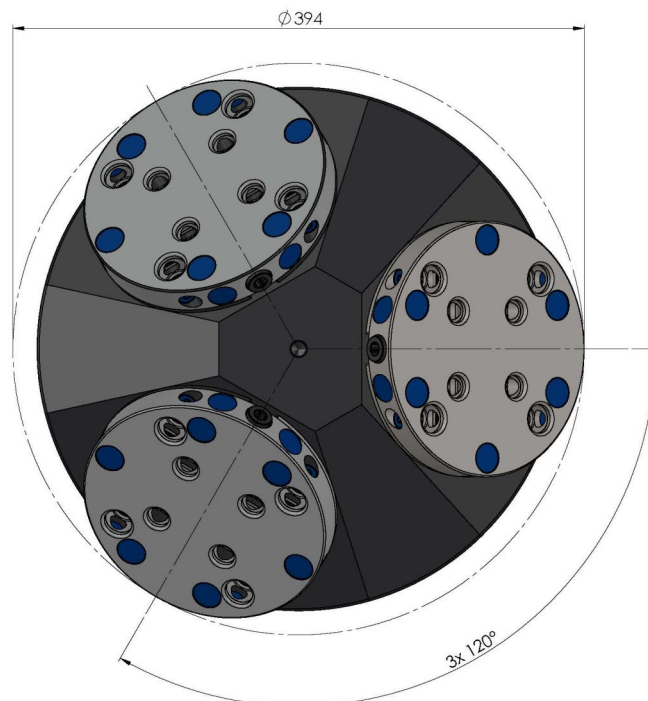
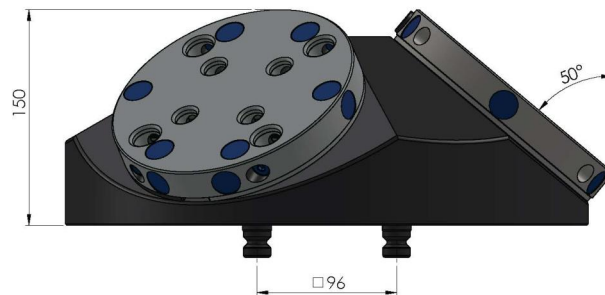


<b>Dimensions</b>	Ø 394 x 150 mm (15.51" x 5.91")
<b>Type of machine</b>	VMC
<b>Packaging Unit</b>	1 Piece
<b>Weight</b>	34.5 kg (76.06 lbs)
<b>Material</b>	Aluminium

Quick-Point® 52/96, 3-face Pyramid

Ø 394 x 150 mm, incl. 3x Quick-Point® 52/96 combi round plate 45480

Item No. 43360



Quick-Point® 52/96, 3-face Pyramid

Ø 394 x 150 mm, incl. 3x Quick-Point® 52/96 combi  
round plate 45480

Item No. 43360

